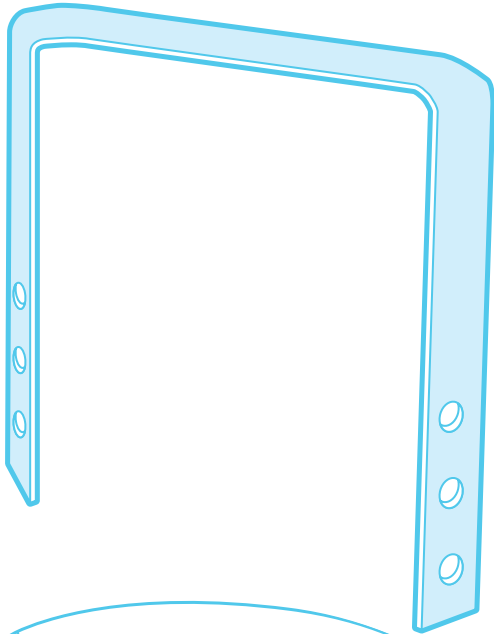
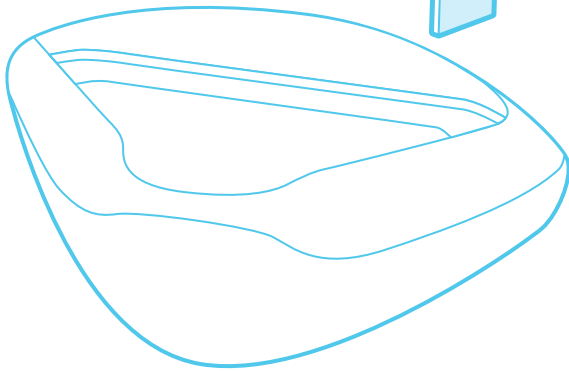


RHOOST[™] Edges

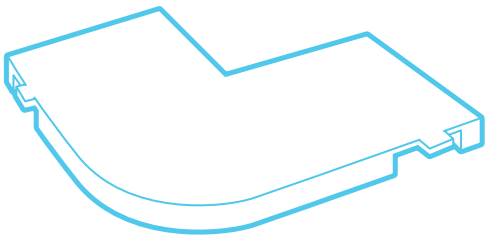
Install it in 6 easy steps!



Strap

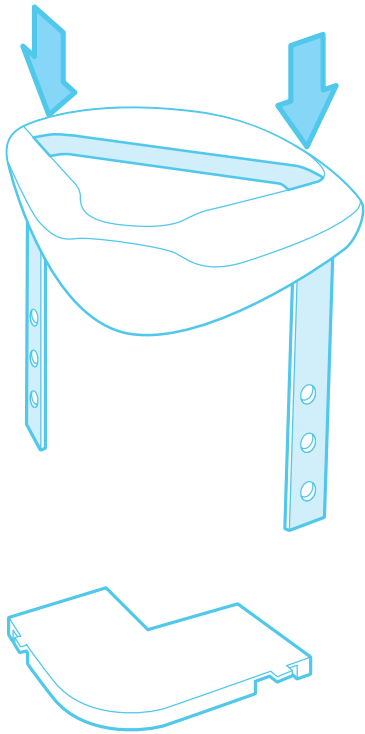


Guard

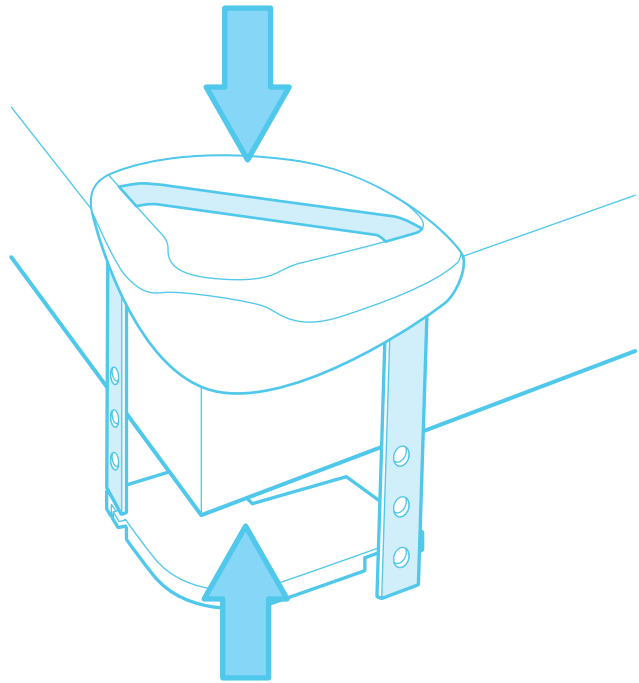


Baseplate

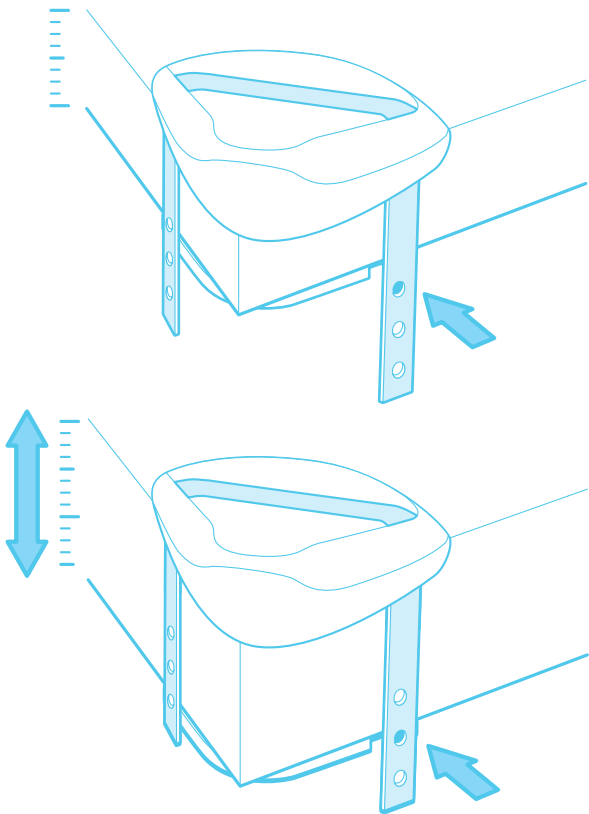
1



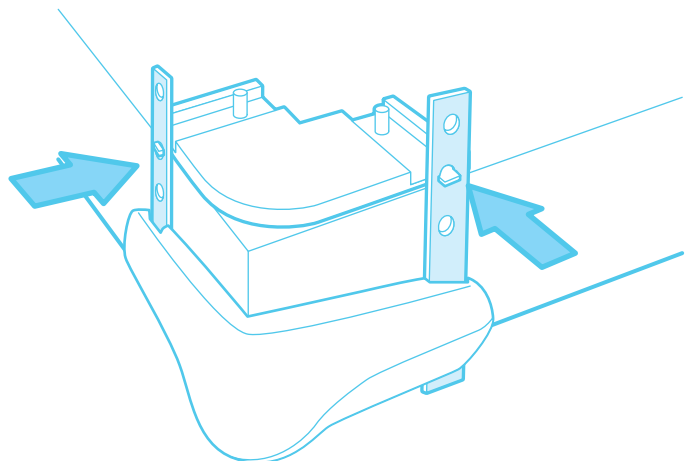
2



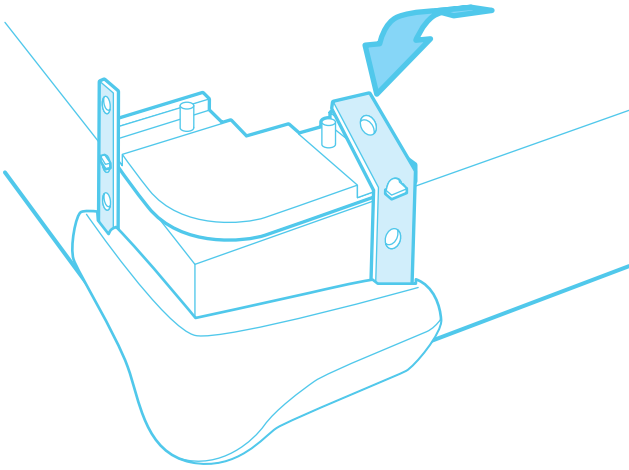
3



4



5



6

