

Oeuf Dresser - Four Drawer  
model # 1DR001

Thank you for choosing Oeuf.

The Oeuf Classic Dresser-four drawer was designed to complement the Oeuf Classic Crib and to accommodate a standard changing pad and the Oeuf Classic Hutch (both sold separately).

If you have any questions or comments, please contact us M-F 10 am - 6 pm EST at (800) 691-8810 or email at [help@oeufnyc.com](mailto:help@oeufnyc.com).

IF YOU ARE MISSING ANY HARDWARE OR COMPONENTS, PLEASE CONTACT OEUF.

 **WARNING**

**FALL HAZARD** - To prevent death or serious injury, always keep child within arm's reach



ALL DRESSERS AND OTHER CASE GOOD FURNITURE CAN TIP WHEN YOU OR YOUR CHILD LEAN ON THE OPEN DRAWERS

INJURY COULD RESULT

YOU MUST INSTALL THE ANTI-TIP STRAP ~ SEE USER MANUAL FOR INSTALLATION

**DRESSER MUST BE PLACED ON LEVEL SURFACE**

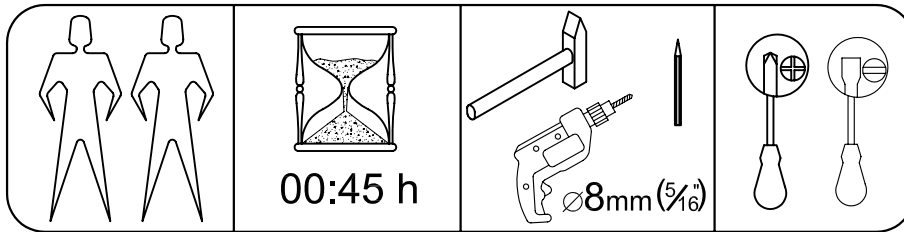
\*See page 5 for installation instructions

Manufactured for:  
Oeuf LLC  
119 8th Street, Suite #301  
Brooklyn, NY 11215 USA  
(800) 691-8810  
email: [help@oeufnyc.com](mailto:help@oeufnyc.com)  
[www.oeufnyc.com](http://www.oeufnyc.com)

Distributed in Canada by:  
5514 KM Corporation  
19 Industrial Street, Toronto  
ON M4G 1Z2 CANADA  
(800) 502-5514  
email: [info@5514km.ca](mailto:info@5514km.ca)  
[www.5514km.ca](http://www.5514km.ca)

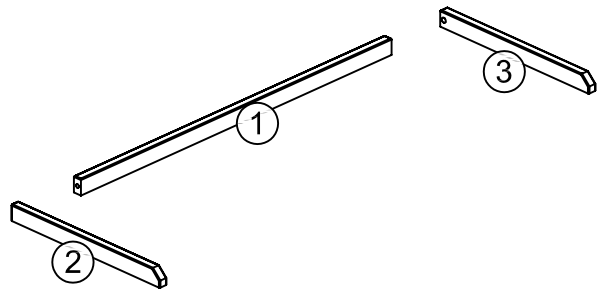
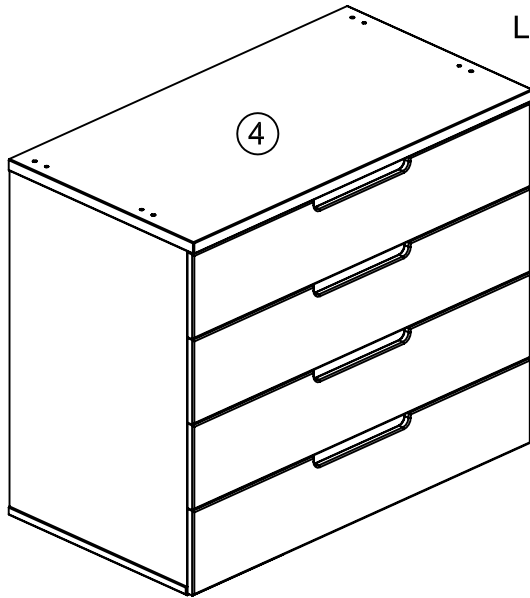
Distributed in Australia by:  
3 Feet High Pty Ltd.  
78-80 Commonwealth St., Surry Hills  
NSW 2010 AUSTRALIA  
Ph 61-2-9281-0886  
Fax 61-2-9281-0644  
[www.3feethigh.com.au](http://www.3feethigh.com.au)

**oeuf**<sup>®</sup>



Parts List

Liste des Pièces

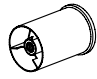


**⚠ WARNING**

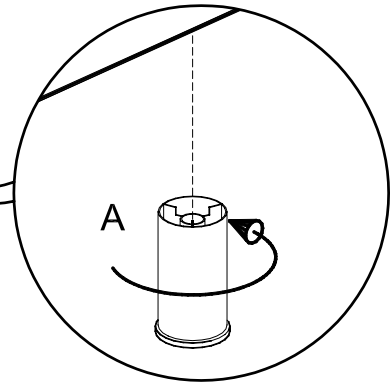
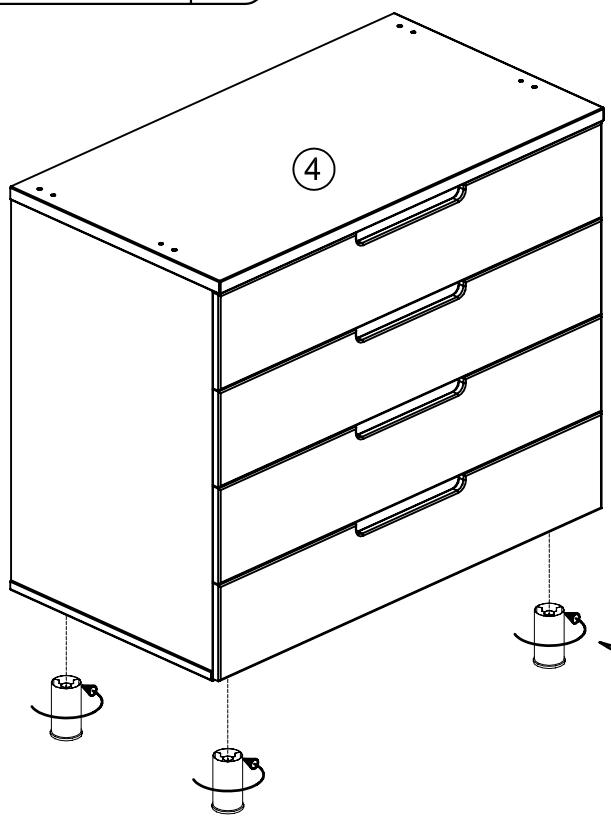
To avoid the hazard of the chest falling over caused by a child pulling or hanging from an open drawer, you **MUST** attach the dresser to the wall using the **safety strap** at the back of the dresser. Follow the instructions included in the manual.

A		4 pcs
B	Ø8x30	4 pcs
C	M6x35	4 pcs
E		2 pcs
F		2 pcs

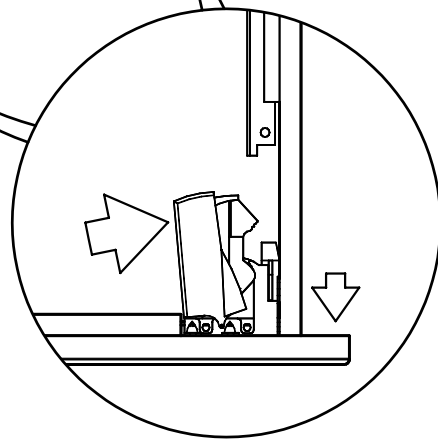
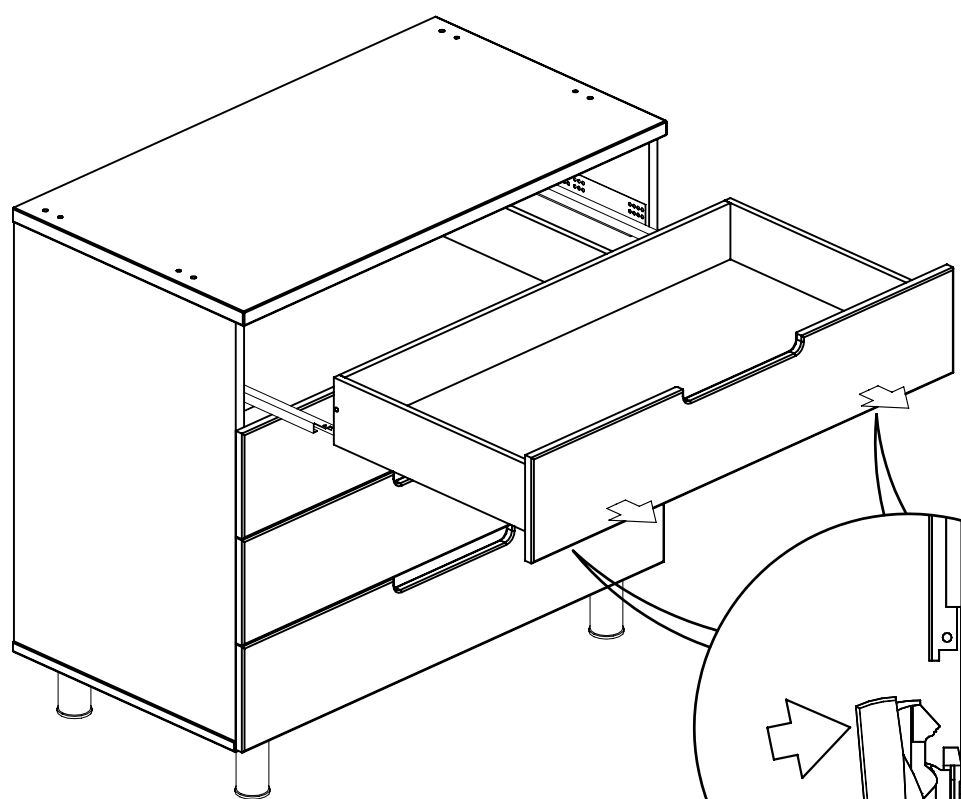
G		1 pc
H		8 pcs
J	Ø4x50	1 pc
K	Ø8x40	1 pc
L		1 pc

A		4 pcs
---	---	----------

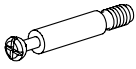
1




2

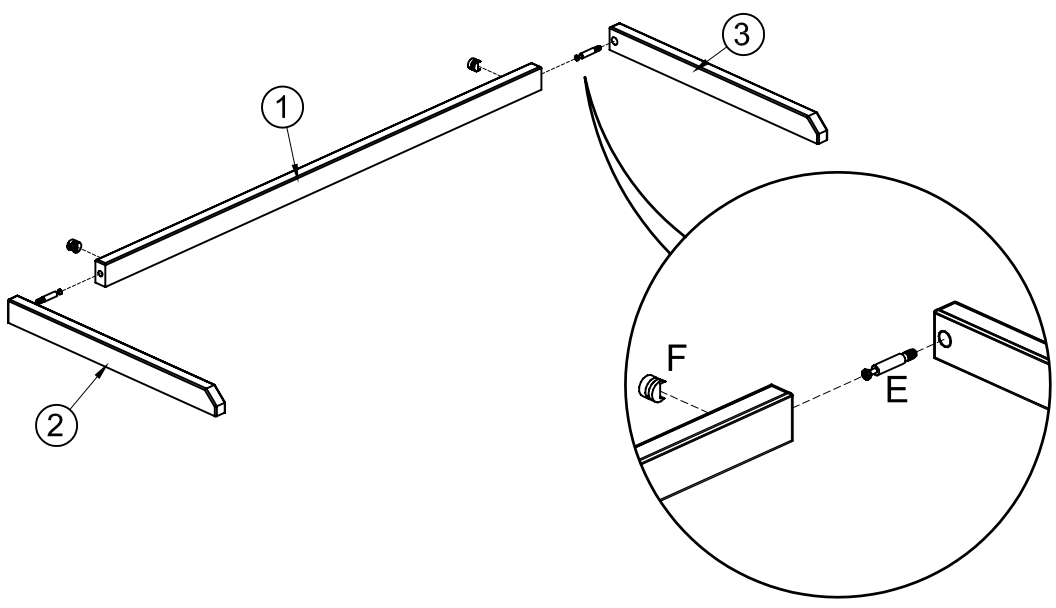


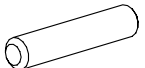
(3)

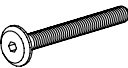
E		2 pcs
---	---	----------


F		2 pcs
---	---	----------

3

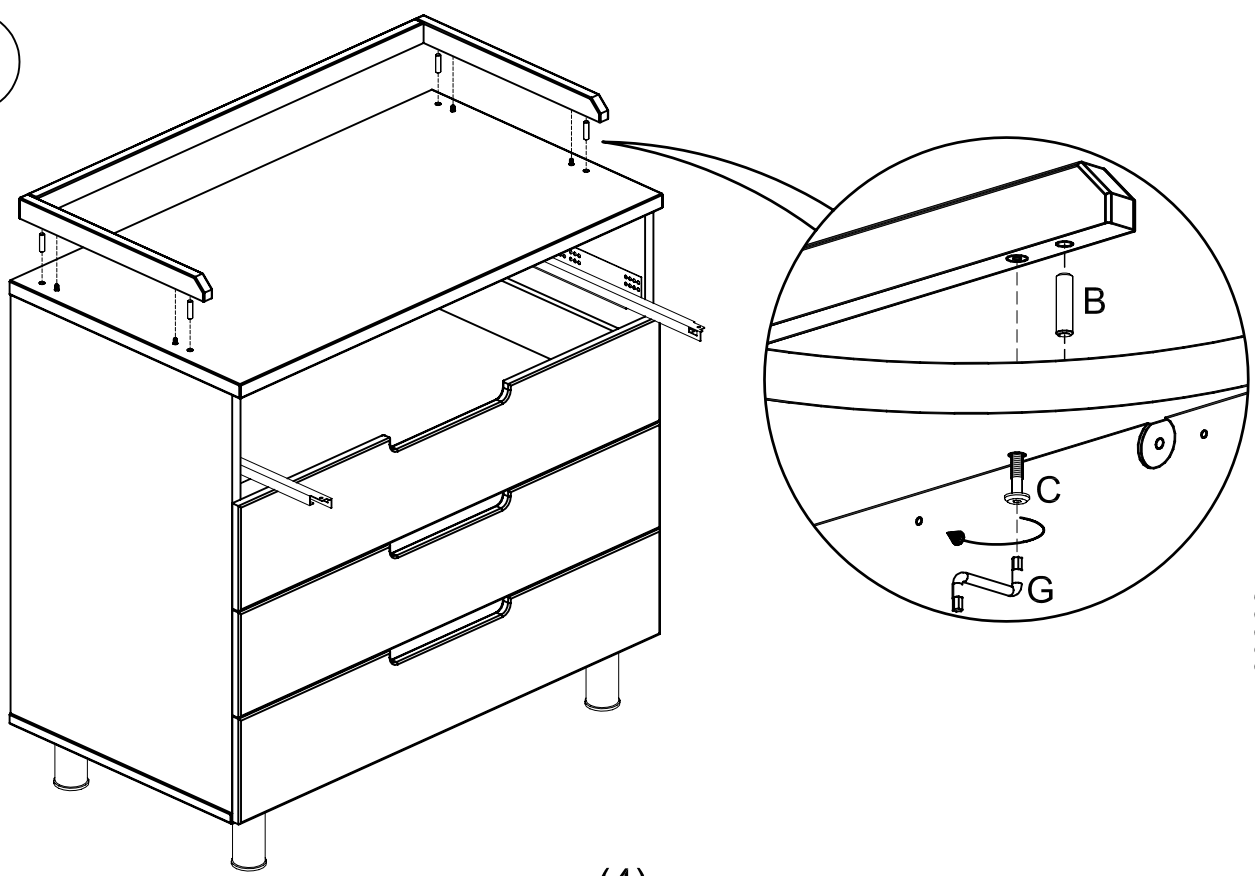


B	 Ø8x30	4 pcs
---	---	----------

C	 M6x50	4 pcs
---	---	----------

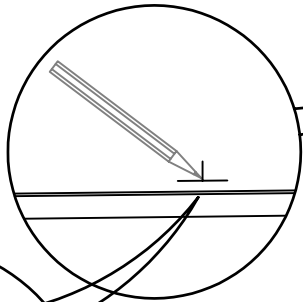
G		1 pc
---	---	---------

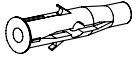
4

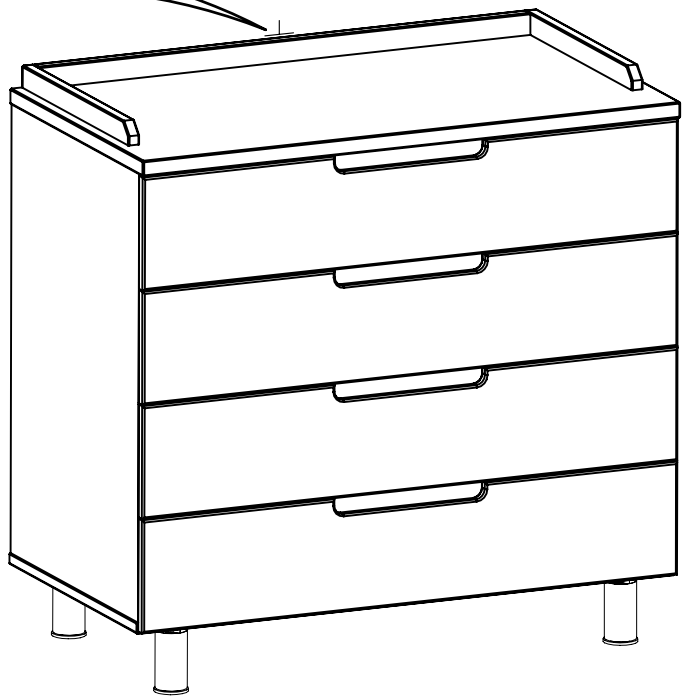
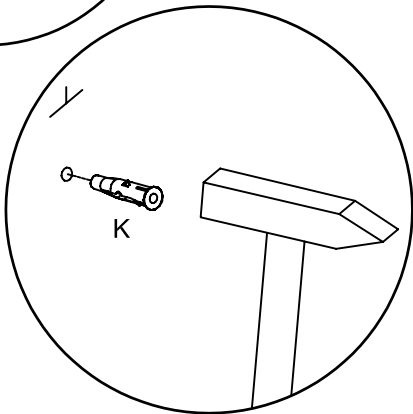
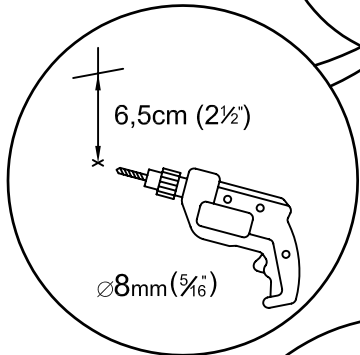


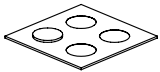
(4)

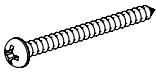
5




K		Ø8x40	1 pc
---	---	-------	------

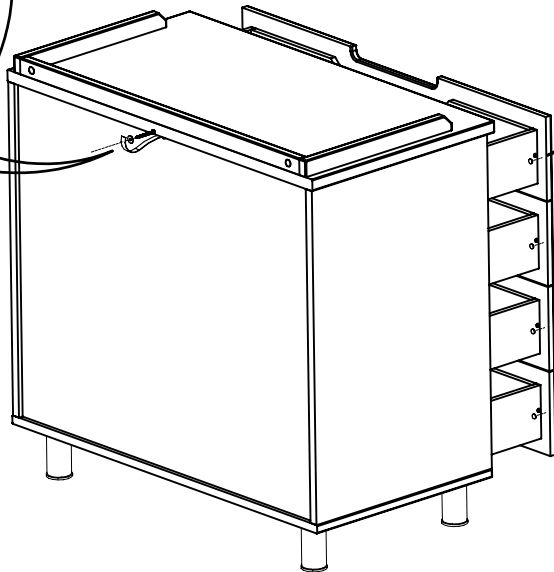
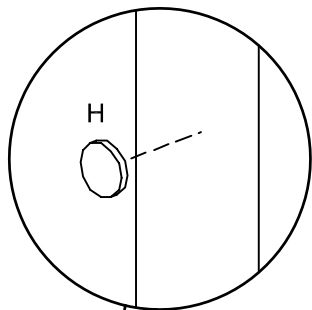
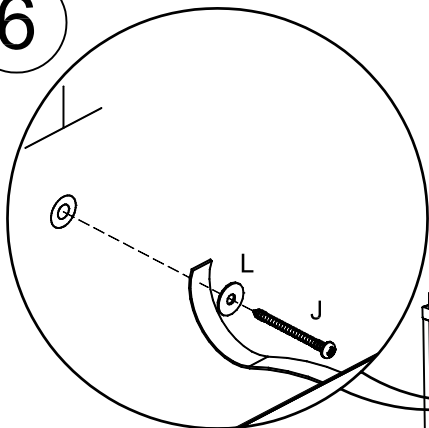


H		8 pcs
---	---	-------

J		Ø4x50	1 pc
---	---	-------	------

6

L		1 pc
---	---	------



(5)