

Oeuf Classic Hutch
model # 1HU001

Thank you for choosing Oeuf.

The Oeuf Classic Hutch was designed to fit the Oeuf Classic Dresser-Four Drawer (sold separately) to give you added storage space without giving up floor space.

If you have any questions or comments, please contact us M-F 10 am - 6 pm EST at (800) 691-8810 or email at help@oeufnyc.com.

IF YOU ARE MISSING ANY HARDWARE OR COMPONENTS, PLEASE CONTACT OEUF.

WARNING

FALL HAZARD - To prevent death or serious injury, always keep child within arm's reach



ALL DRESSERS AND OTHER CASE GOOD FURNITURE CAN TIP WHEN YOU OR YOUR CHILD LEAN ON THE OPEN DRAWERS

INJURY COULD RESULT

YOU MUST INSTALL THE ANTI-TIP STRAP ~ SEE USER MANUAL FOR INSTALLATION

DRESSER MUST BE PLACED ON LEVEL SURFACE

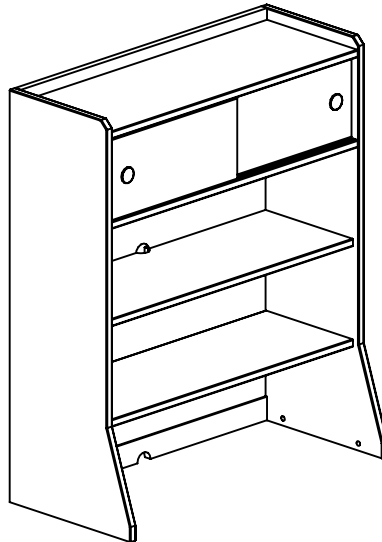
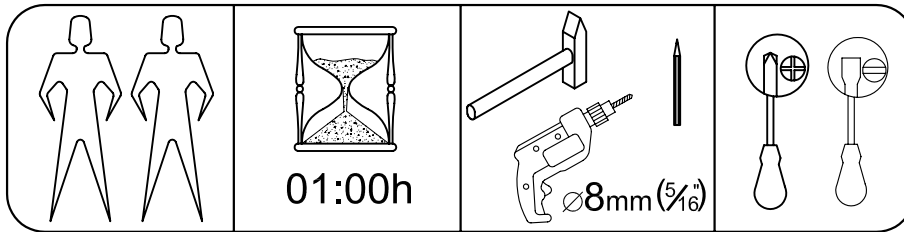
*See page 9 for installation instructions

Manufactured for:
Oeuf LLC
119 8th Street, Suite #301
Brooklyn, NY 11215 USA
(800) 691-8810
email: help@oeufnyc.com
www.oeufnyc.com

Distributed in Canada by:
5514 KM Corporation
19 Industrial Street, Toronto
ON M4G 1Z2 CANADA
(800) 502-5514
email: info@5514km.ca
www.5514km.ca

Distributed in Australia by:
3 Feet High Pty Ltd.
78-80 Commonwealth St., Surry Hills
NSW 2010 AUSTRALIA
Ph 61-2-9281-0886
Fax 61-2-9281-0644
www.3feethigh.com.au

oeuf[®]

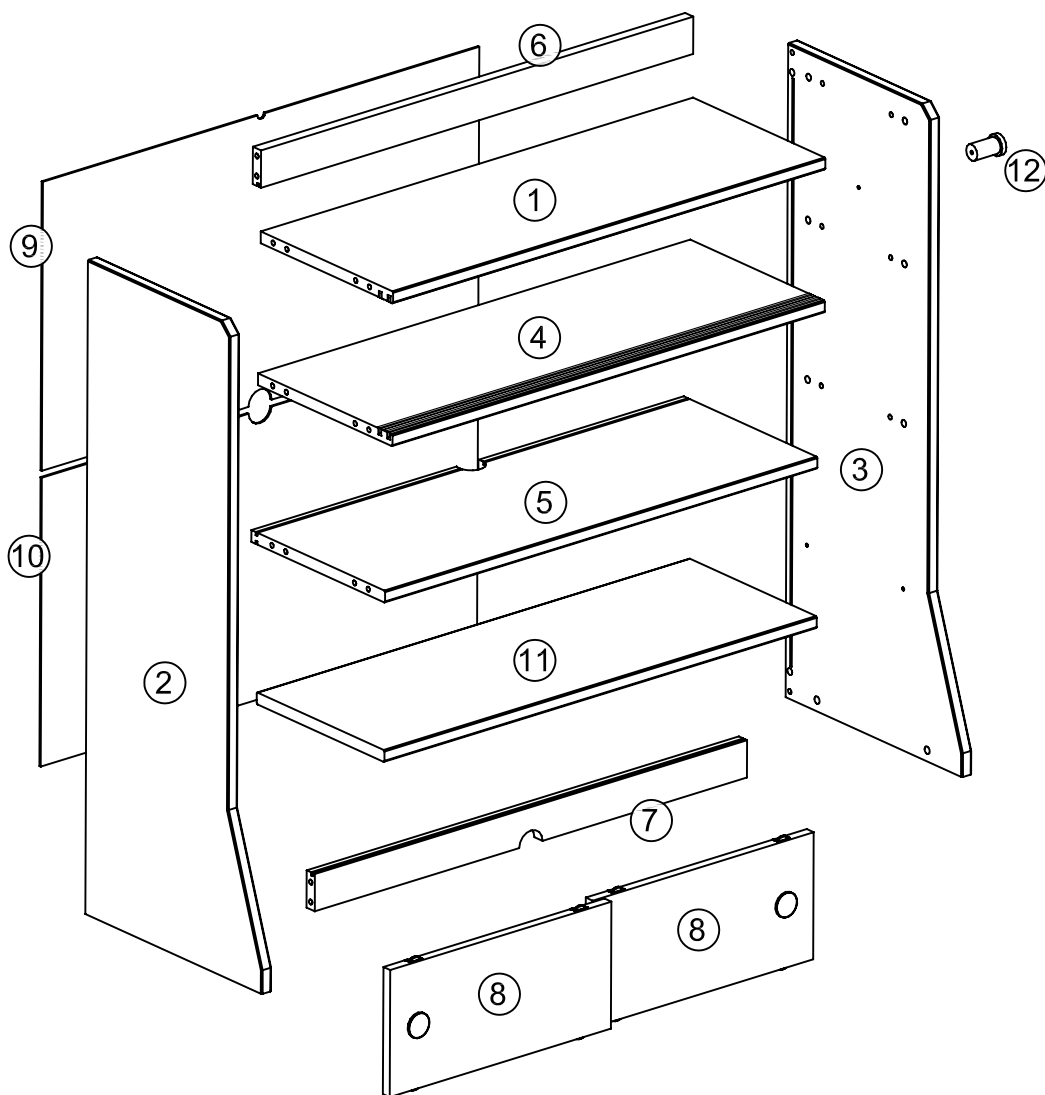


⚠ WARNING

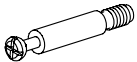
To avoid the hazard of the hutch falling over caused by a child pulling or hanging, you **MUST** attach it to the wall using the **safety strap** at the back of the hutch. Follow the instructions included in the manual.

A		16 pcs
B	Ø8x30	20 pcs
C	M6x50	4 pcs
D	Ø10x13	4 pcs
E		4 pcs
F		16 pcs
G		8 pcs

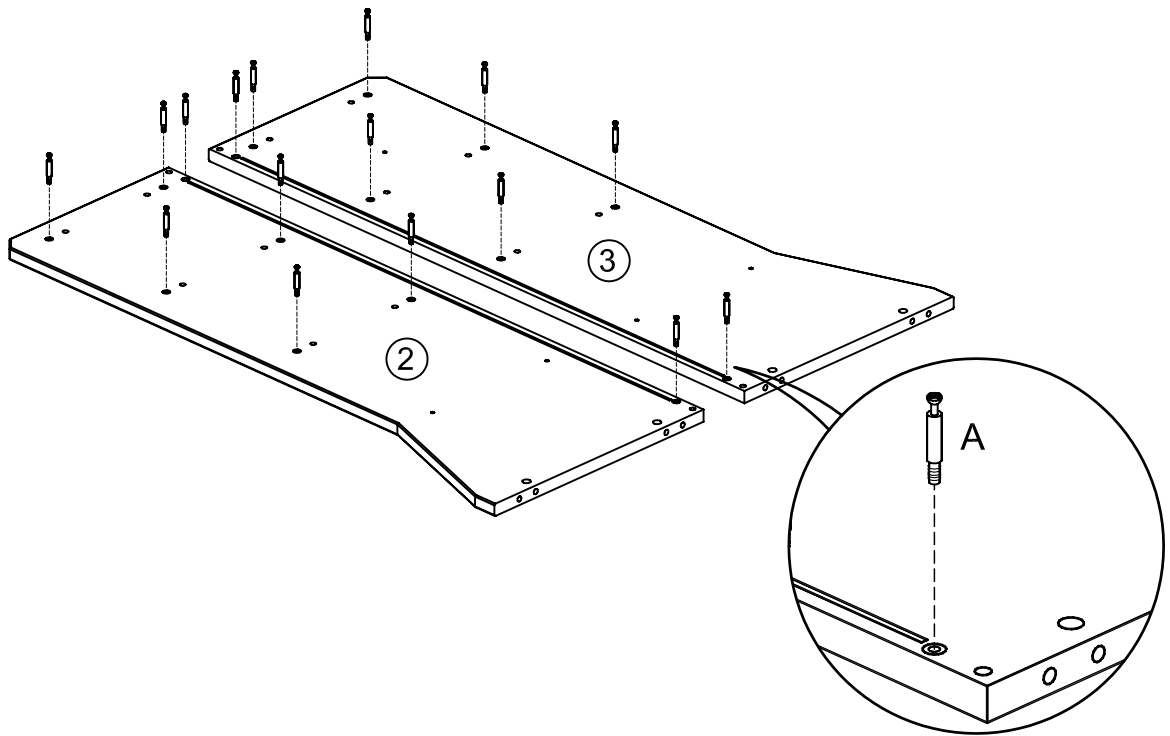
H	Ø7x50	1 pc
J		1 pc
K		1 pc
L	Ø4x50	1 pc
M	Ø8x40	1 pc
N		2 pcs
P	Ø4x16	1 pc




Pièces nr. Pièces nr.	Quantity Quantité	Dimensions, mm Dimensions, mm	✓
1	1	873x308x19	
2	1	1050x410x19	
3	1	1050x410x19	
4	1	837x313x19	
5	1	837x311x19	
6	1	837x60x19	
7	1	837x60x19	
8	2	428x204x16	
9	1	845x464x3	
10	1	845x464x3	
11	1	837x297x19	
12	1	53x34x34	

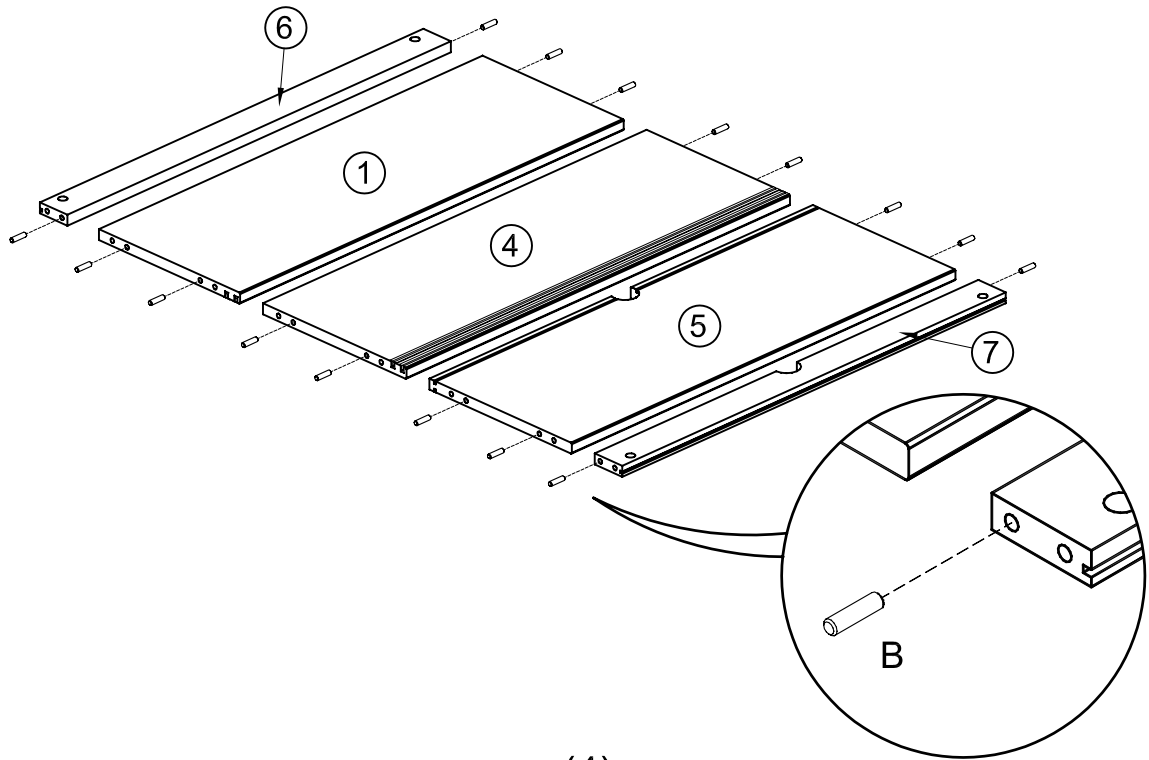
A		16 pcs
---	---	-----------

1



B	 $\varnothing 8 \times 30$	16 pcs
---	--	-----------

2



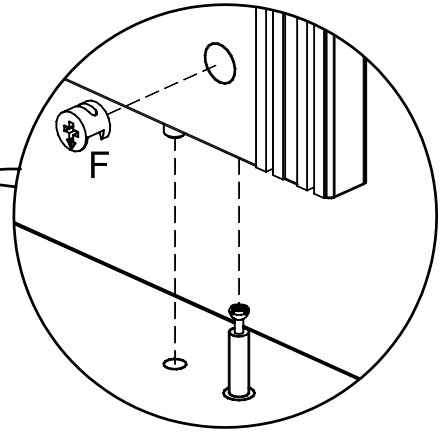
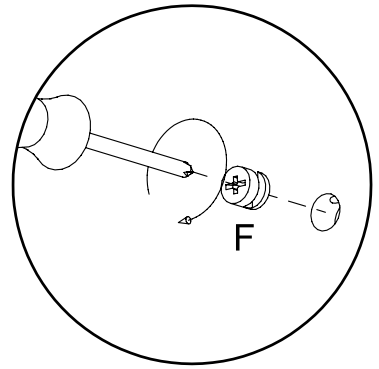
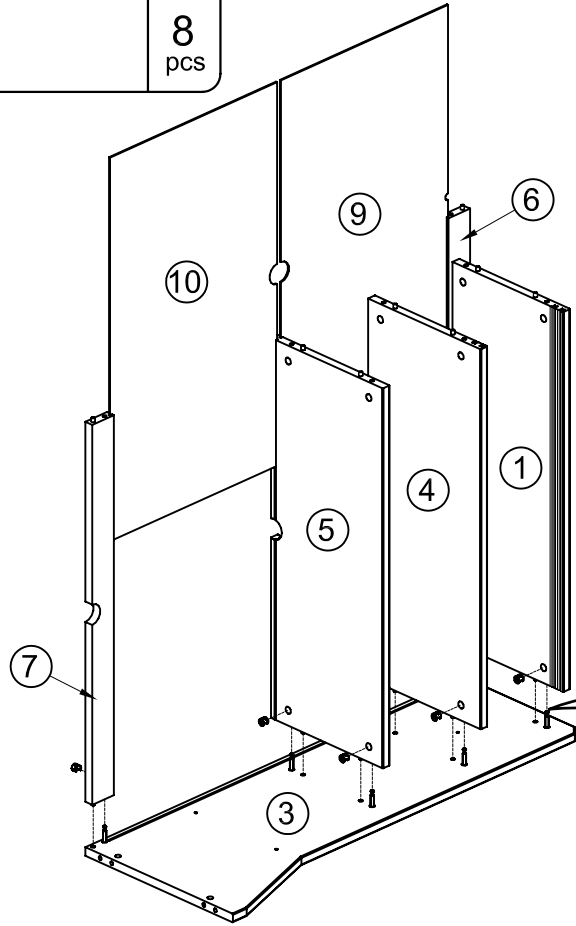
(4)

F



8
pcs

3

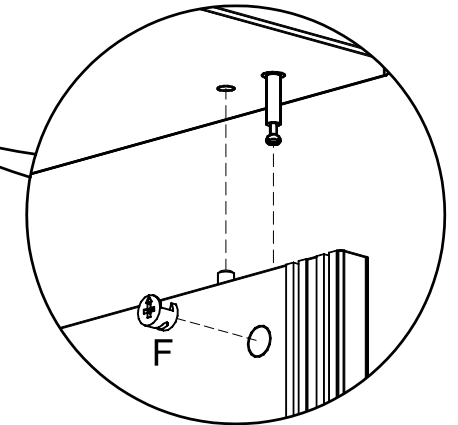
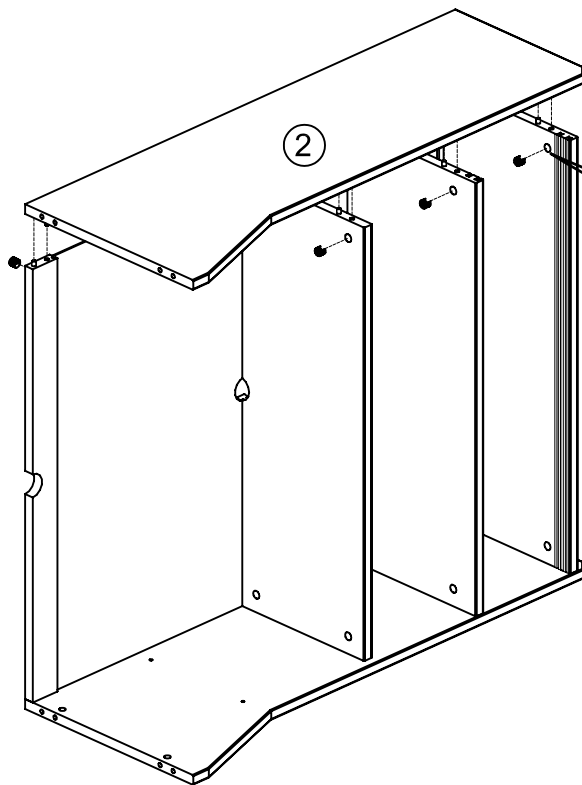


F

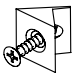


8
pcs

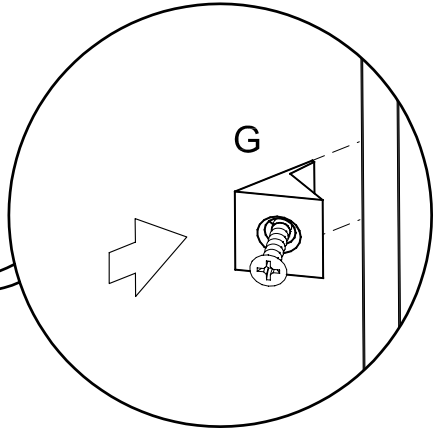
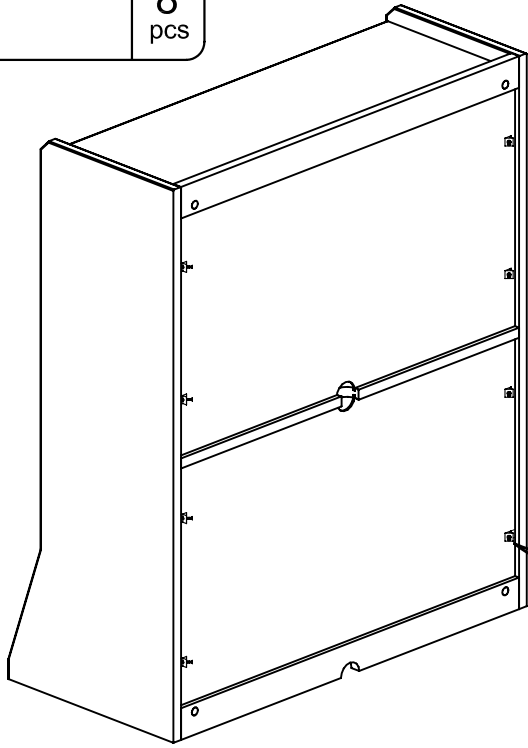
4

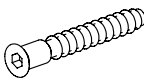



(5)


G		8 pcs
---	---	----------

5

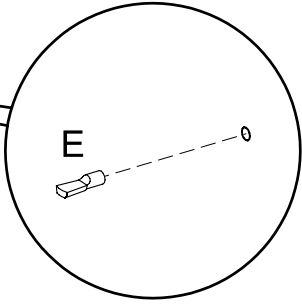
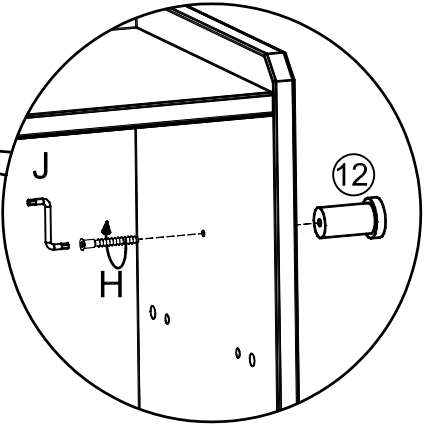
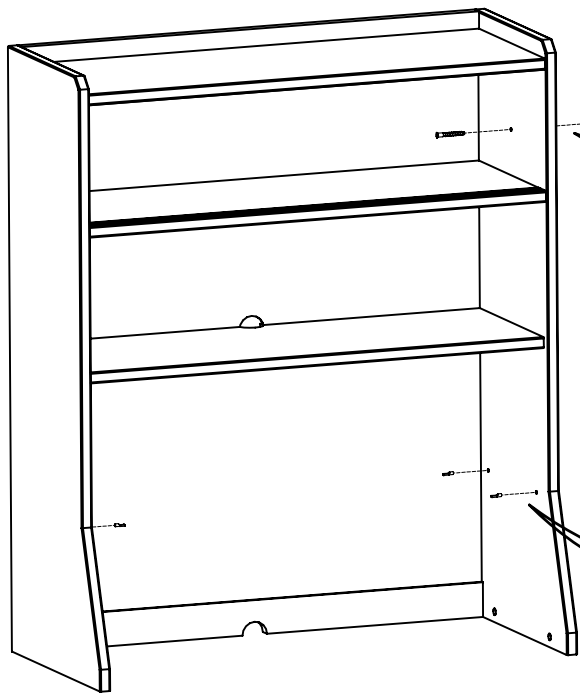


H	 Ø7x50	1 pc
---	--	---------

J		1 pc
---	---	---------

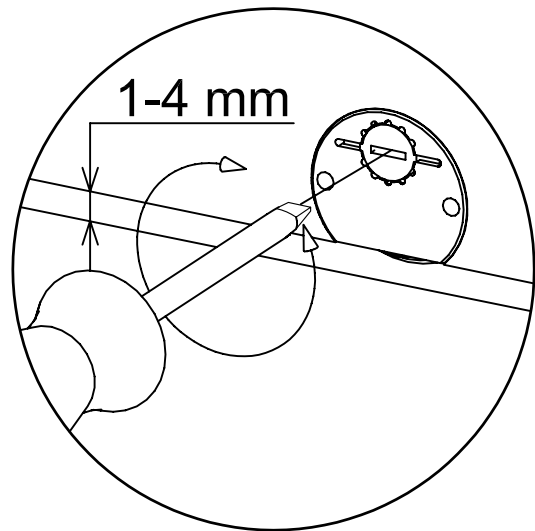
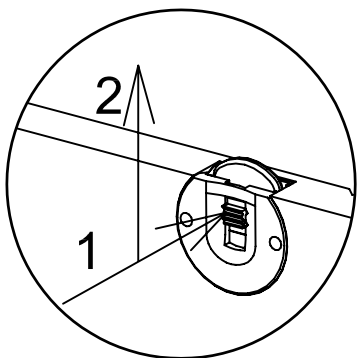
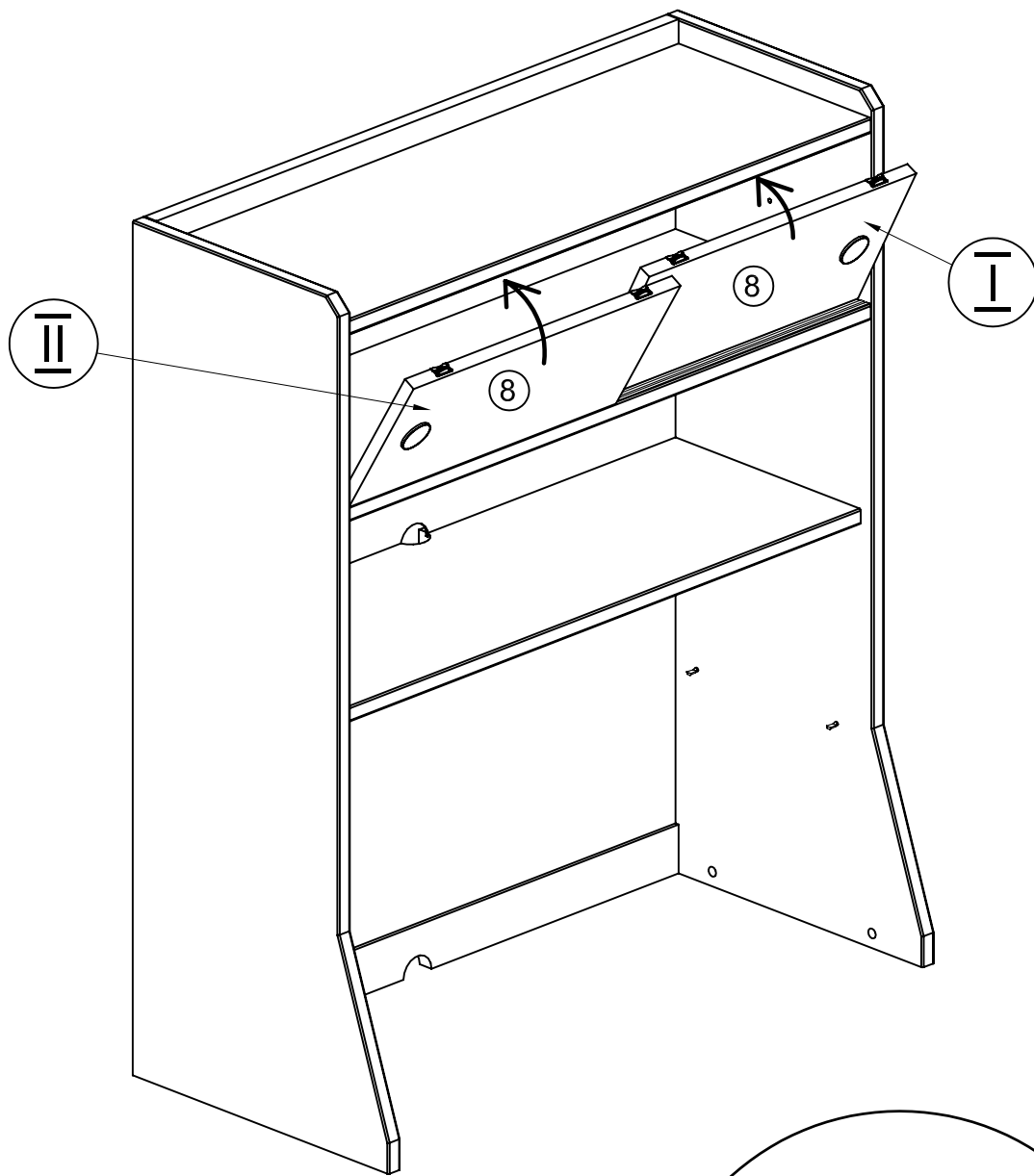
E		4 pcs
---	---	----------

6



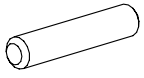
(6)


7

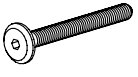



11260

(7)

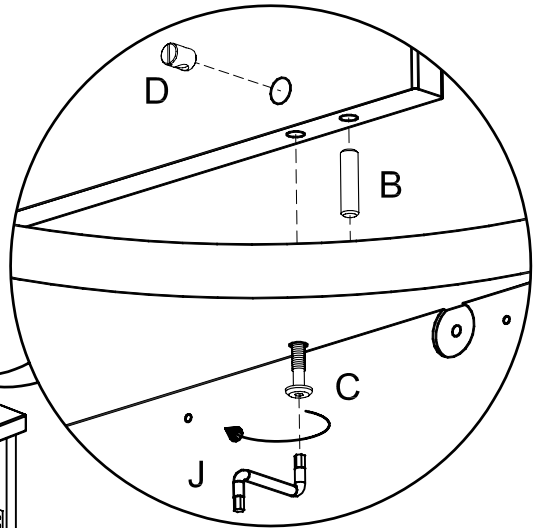
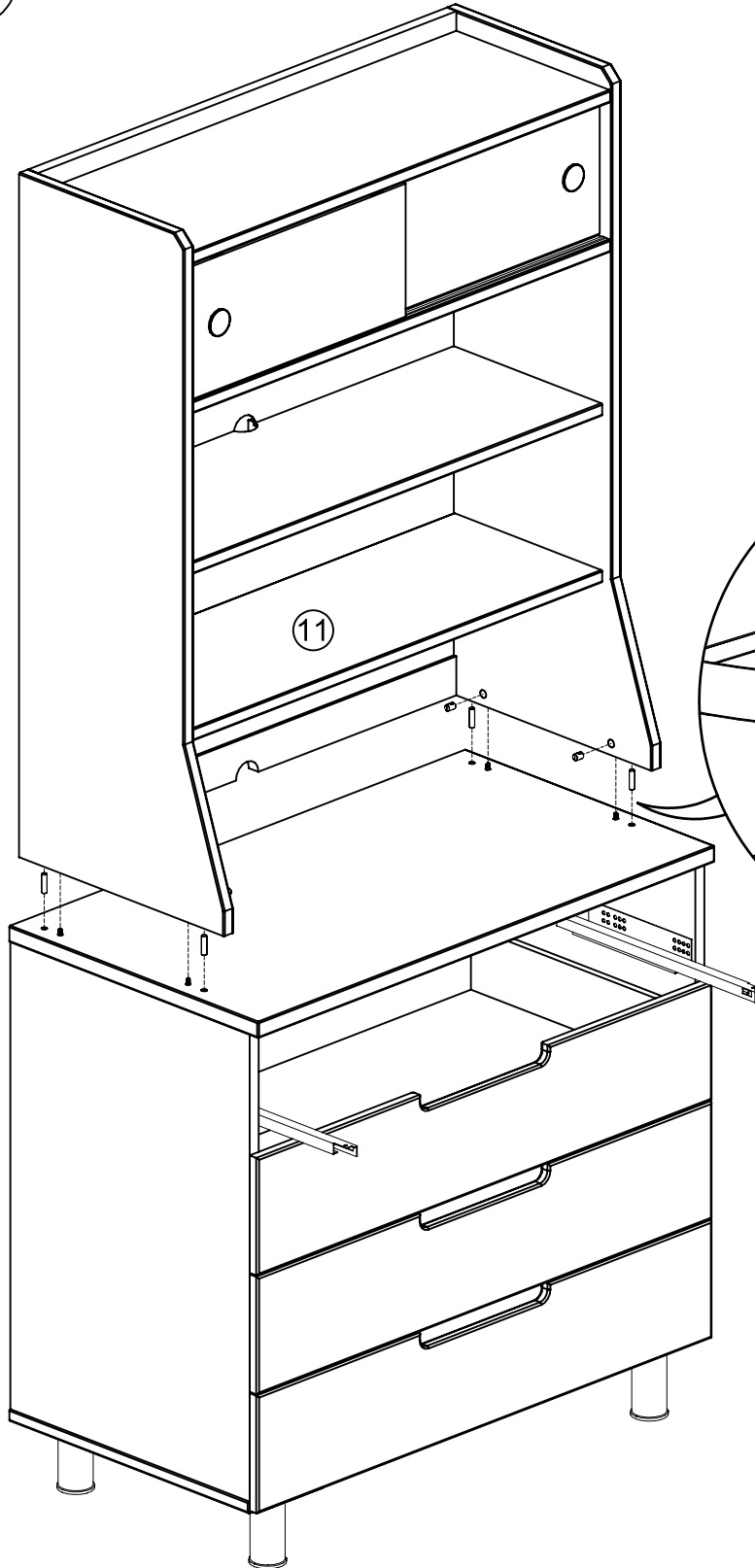
B		Ø8x30	4 pcs
----------	---	-------	-------

D		Ø10x13	4 pcs
----------	---	--------	-------

C		M6x50	4 pcs
----------	---	-------	-------

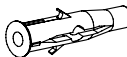
J			1 pc
----------	---	--	------

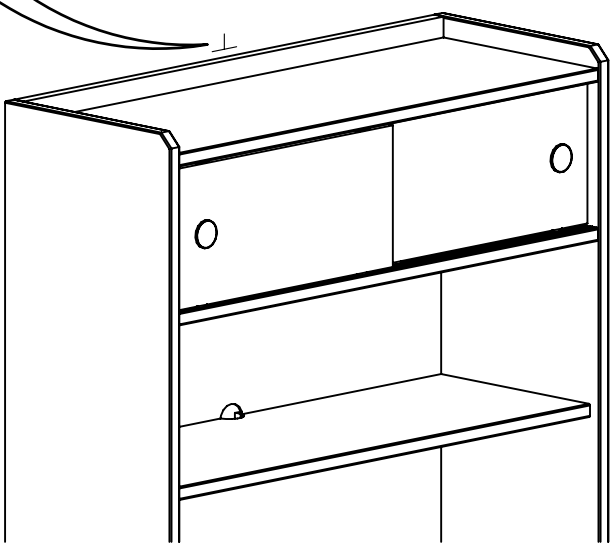
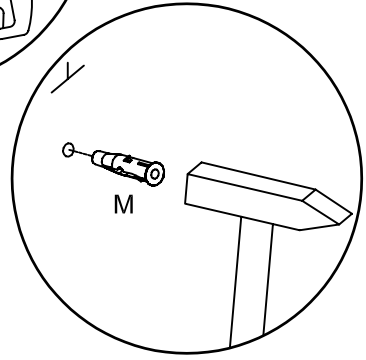
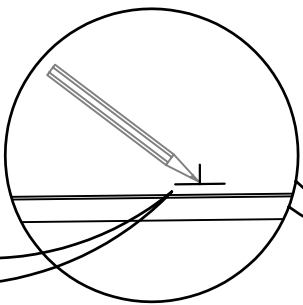
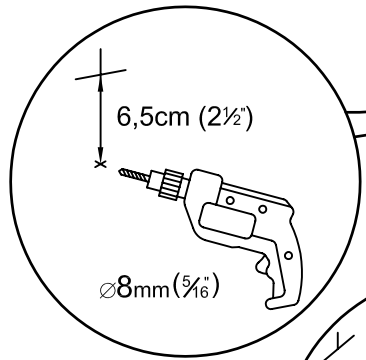
8



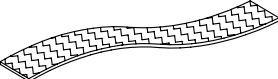
(8)


9

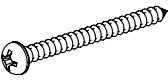
M		Ø8x40	1 pc
---	---	-------	------



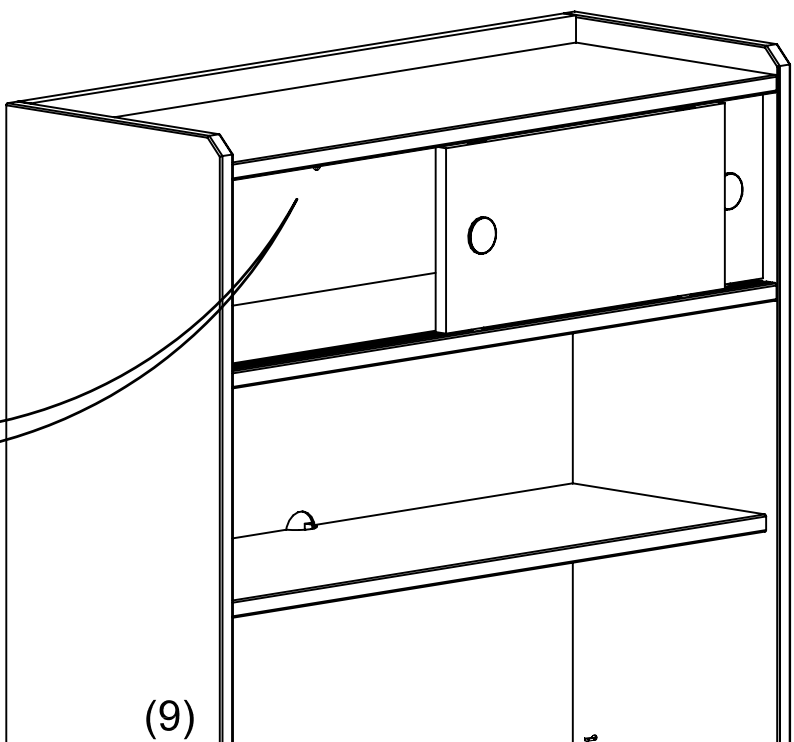
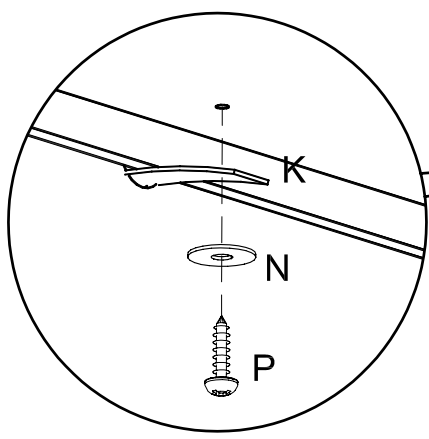
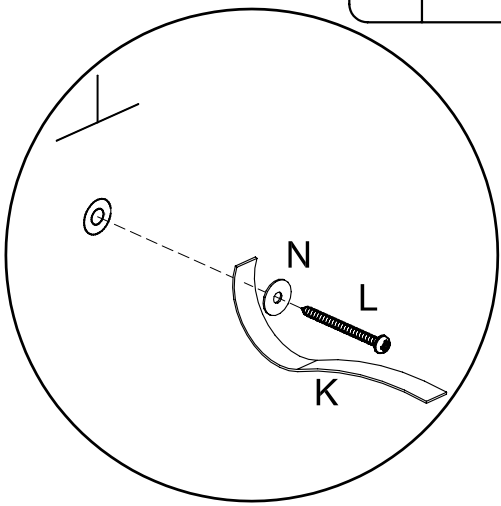
10

K		1 pc
---	---	------

N		2 pcs
---	---	-------

L		Ø4x50	1 pc
---	---	-------	------

P		Ø4x16	1 pc
---	---	-------	------



11260

(9)