

Oeuf Mini Library
model # 1ML001

Thank you for choosing Oeuf.

The Oeuf Mini Library incorporates the same standards as all Oeuf furniture, functionality and modern design. Manufactured in Europe to employ the latest technologies, it was designed for ease of assembly and transport while using only the best European hardware.

Please follow the enclosed instructions for assembly.

If you have any questions or comments, please call us M-F 10am-6pm EST at (800) 691-8810 or email to help@oeufnyc.com.

IF YOU ARE MISSING ANY COMPONENTS, CONTACT OEUF @ (800) 691-8810.
PLEASE DO NOT RETURN MERCHANDISE TO RETAILER.

 **WARNING**

KEEP INSTRUCTIONS FOR FUTURE USE.

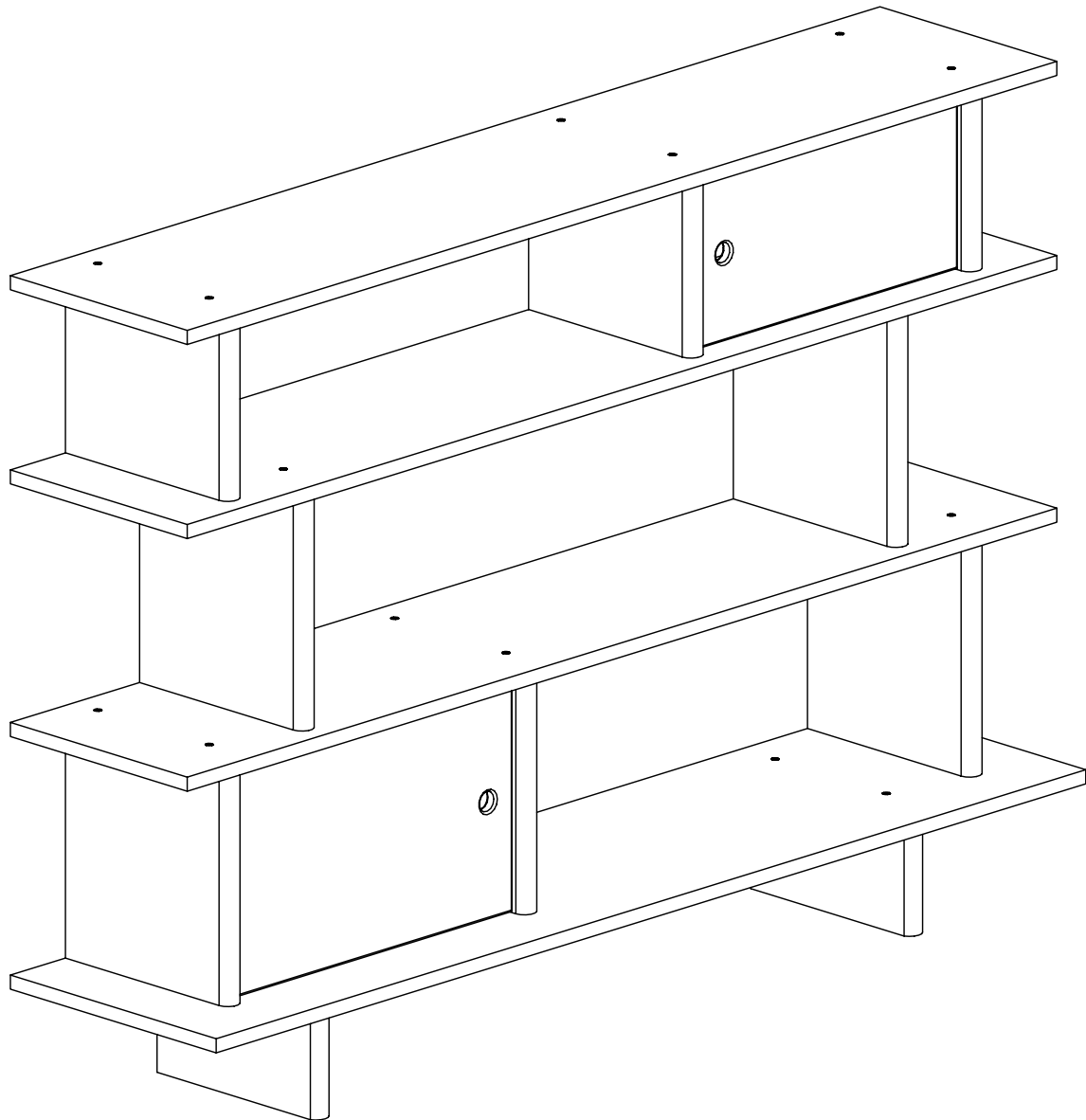
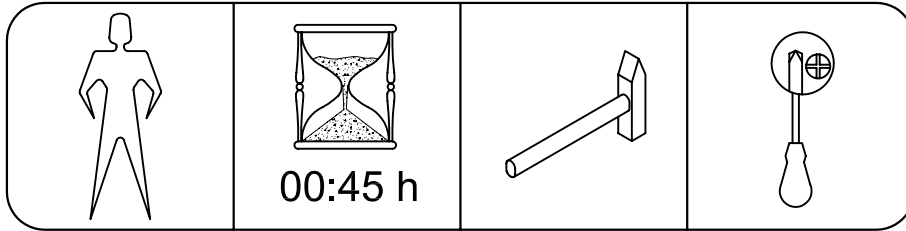
- Before each usage or assembly, inspect for damaged hardware, loose joints, missing parts, or sharp edges. **DO NOT** use if any parts are missing or broken. Ask your dealer or write to OEUF for replacement parts and instructional literature if needed. **DO NOT** substitute parts.
- Upon completion of assembly, be sure all screws and bolts have been tightened securely. A periodic check should be made of all screws and bolts and retighten if necessary.

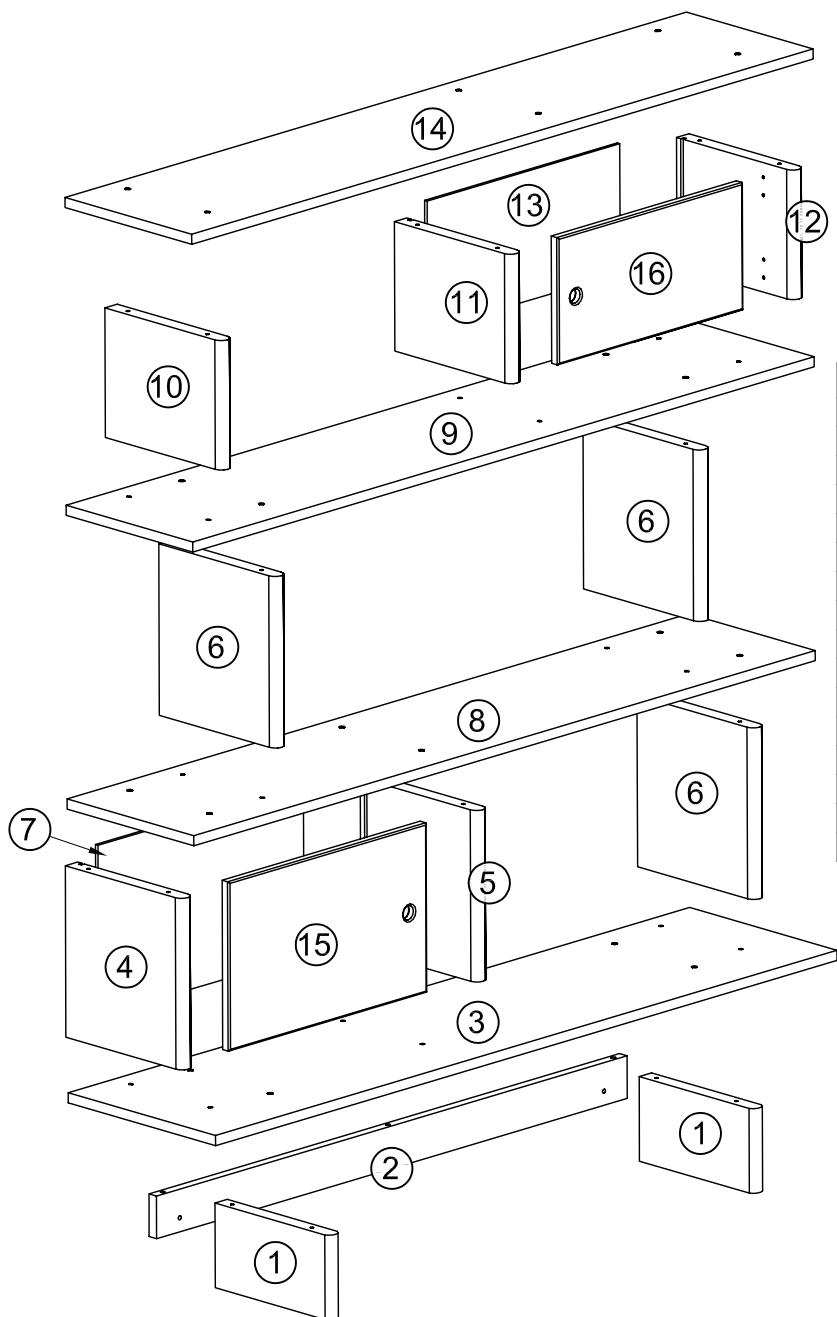
Manufactured for:
Oeuf LLC
119 8th Street, Suite #301
Brooklyn, NY 11215 USA
(800) 691-8810
email: help@oeufnyc.com
www.oeufnyc.com

Distributed in Canada by:
5514 KM Corporation
19 Industrial Street, Toronto
ON M4G 1Z2 CANADA
(800) 502-5514
email: info@5514km.ca
www.5514km.ca

Distributed in Australia by:
3 Feet High Pty Ltd.
78-80 Commonwealth St., Surry Hills
NSW 2010 AUSTRALIA
Ph 61-2-9281-0886
Fax 61-2-9281-0644
www.3feethigh.com.au

oeuf[®]

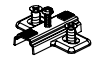




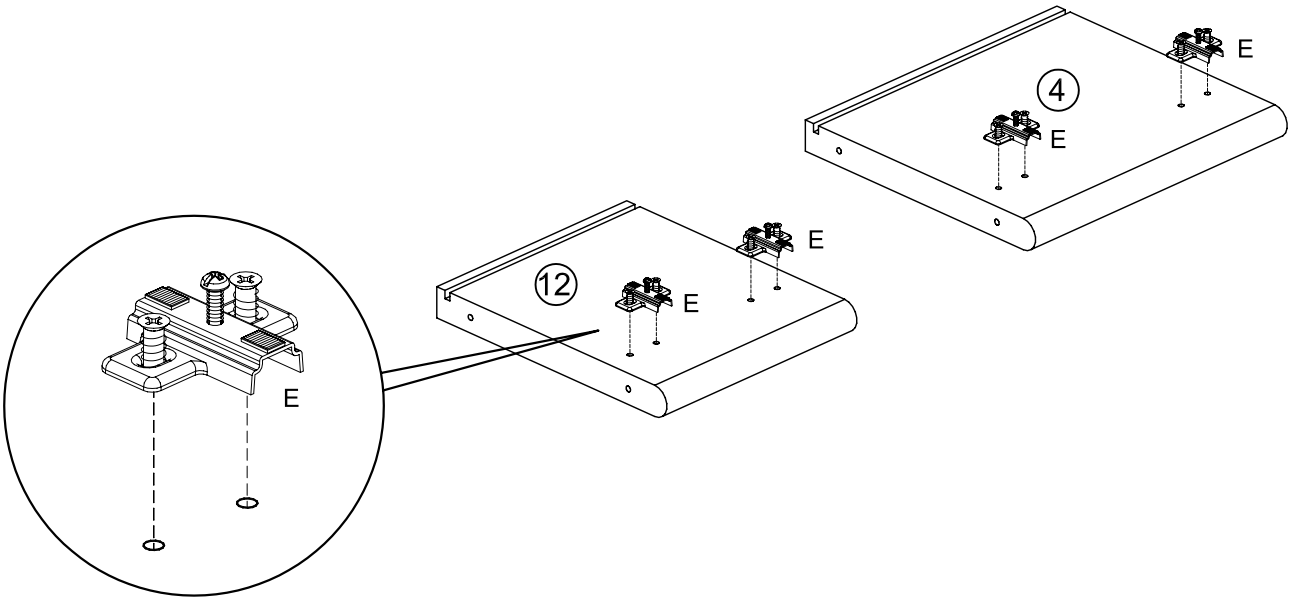
Pieces-Nr.	Quantities	Dimensions, mm
1	2	151 x 275 x 30
2	1	1136 x 76 x 18
3	1	1500 x 355 x 18
4	1	306 x 280 x 30
5	1	306 x 280 x 30
6	3	306 x 280 x 30
7	1	496 x 306 x 6
8	1	1500 x 305 x 18
9	1	1500 x 305 x 18
10	1	231 x 280 x 30
11	1	231 x 280 x 30
12	1	231 x 208 x 30
13	1	467 x 231 x 6
14	1	1500 x 305 x 18
15	1	478 x 302 x 16
16	1	447 x 227 x 16

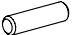
A		Ø8x30	3 pcs
B		Ø7x50	38 pcs
C			1 pc
D			4 pcs
E			4 pcs


F			2 pcs
G		Ø3.5x15	10 pc
H			2 pcs
I		Ø8x40	2 pcs
J		Ø4x50	2 pcs


E		4 pcs
---	---	----------

1

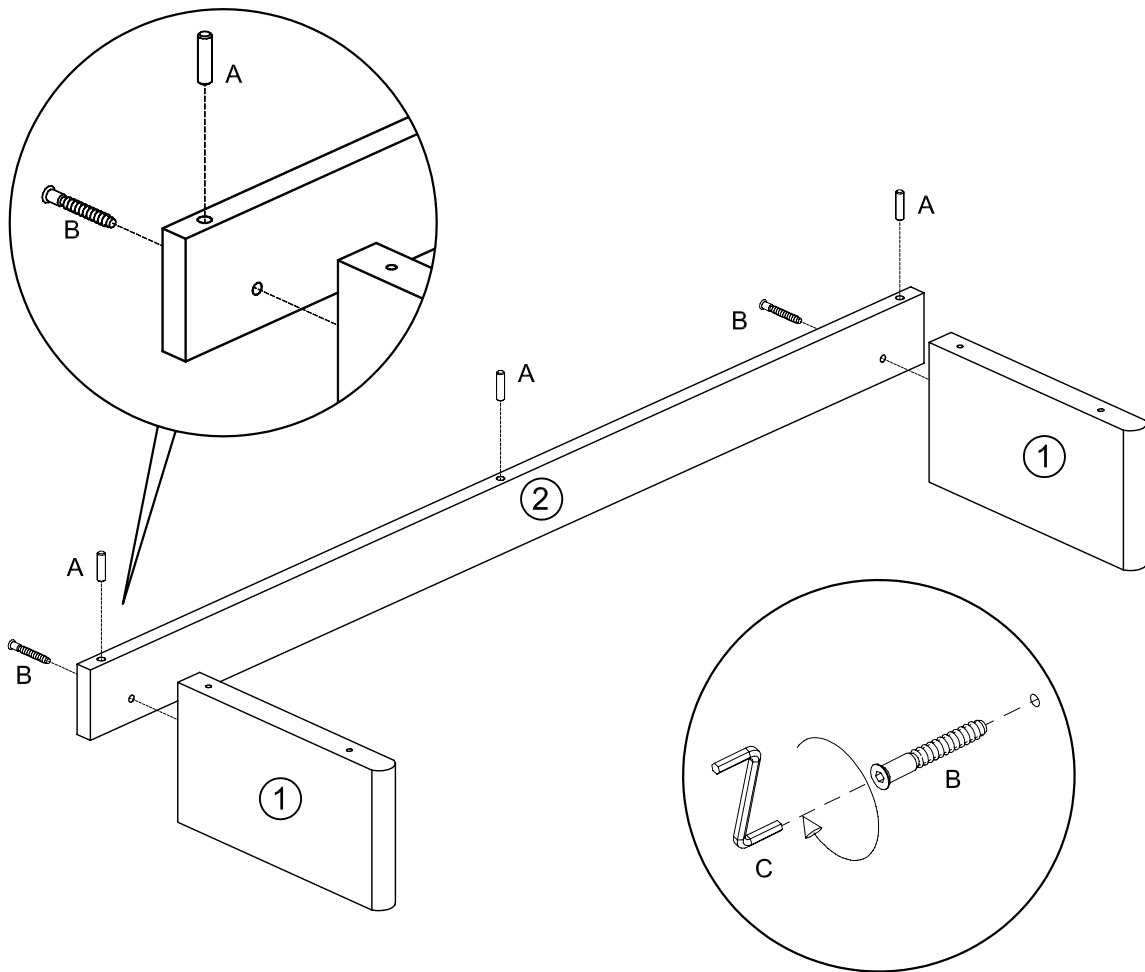


A		3 pcs
---	--	----------

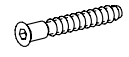
B		2 pcs
---	--	----------


C		1 pc
---	--	---------

2

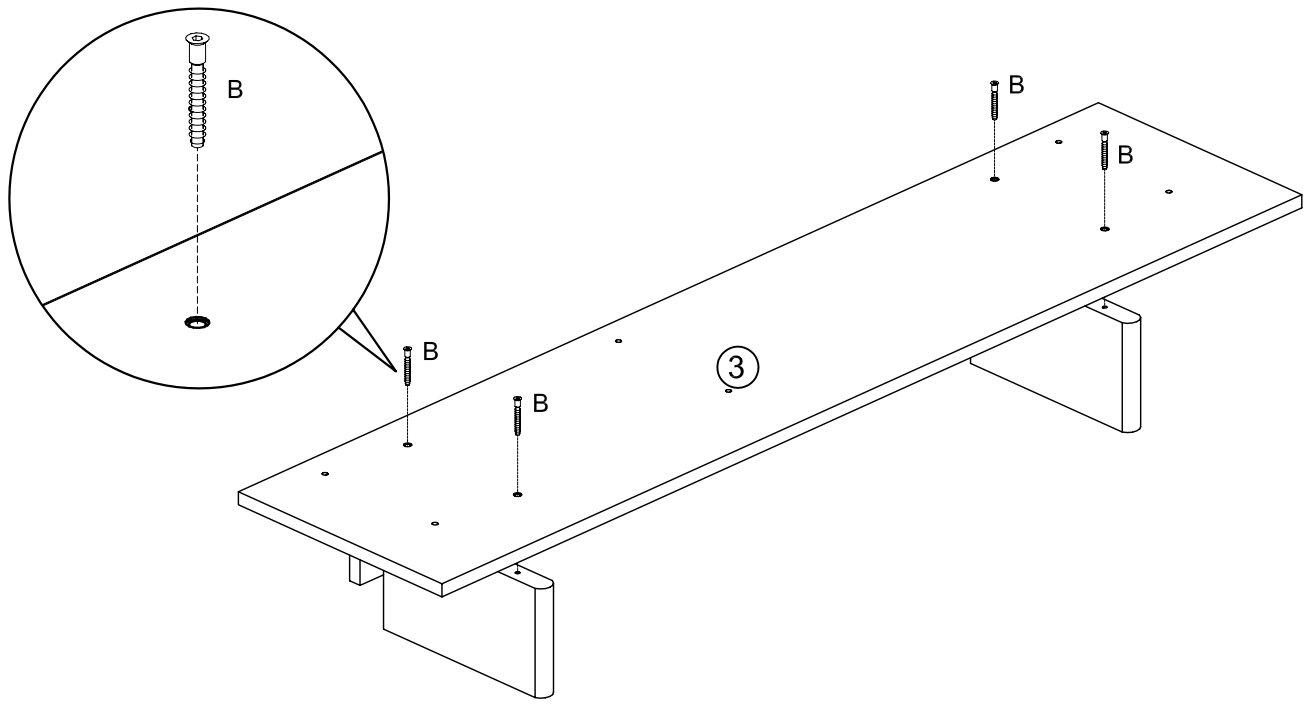


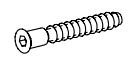
(3)


B		4 pcs
---	---	----------

C		1 pc
---	---	---------

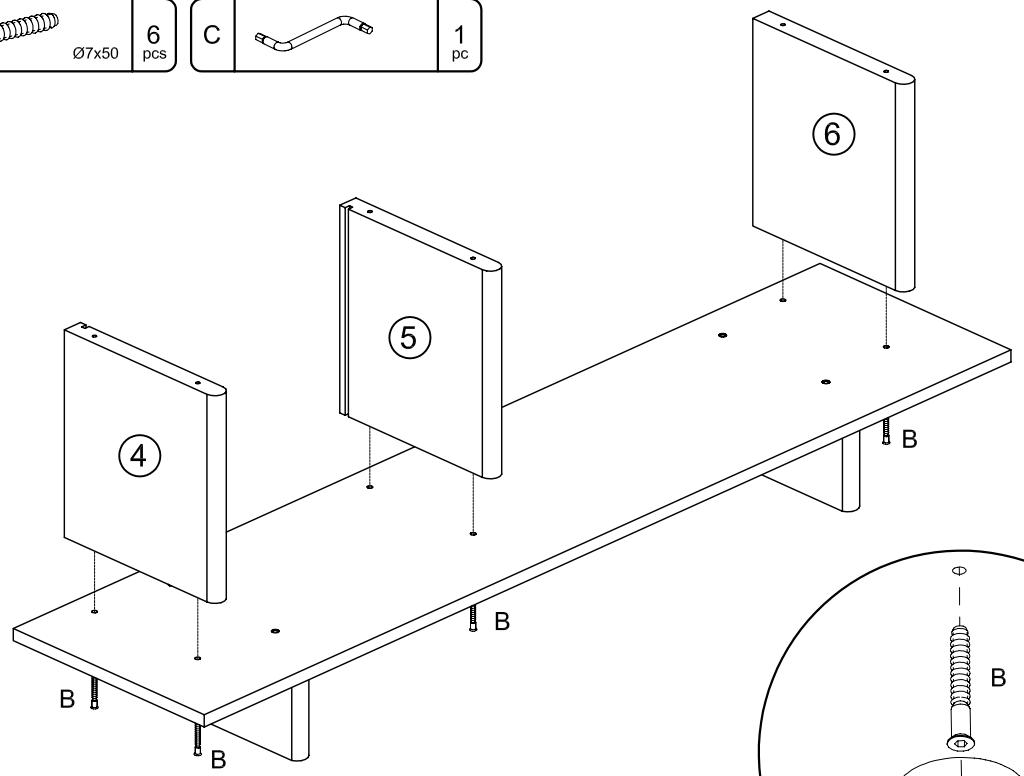
3





B		6 pcs
---	---	----------

C		1 pc
---	---	---------

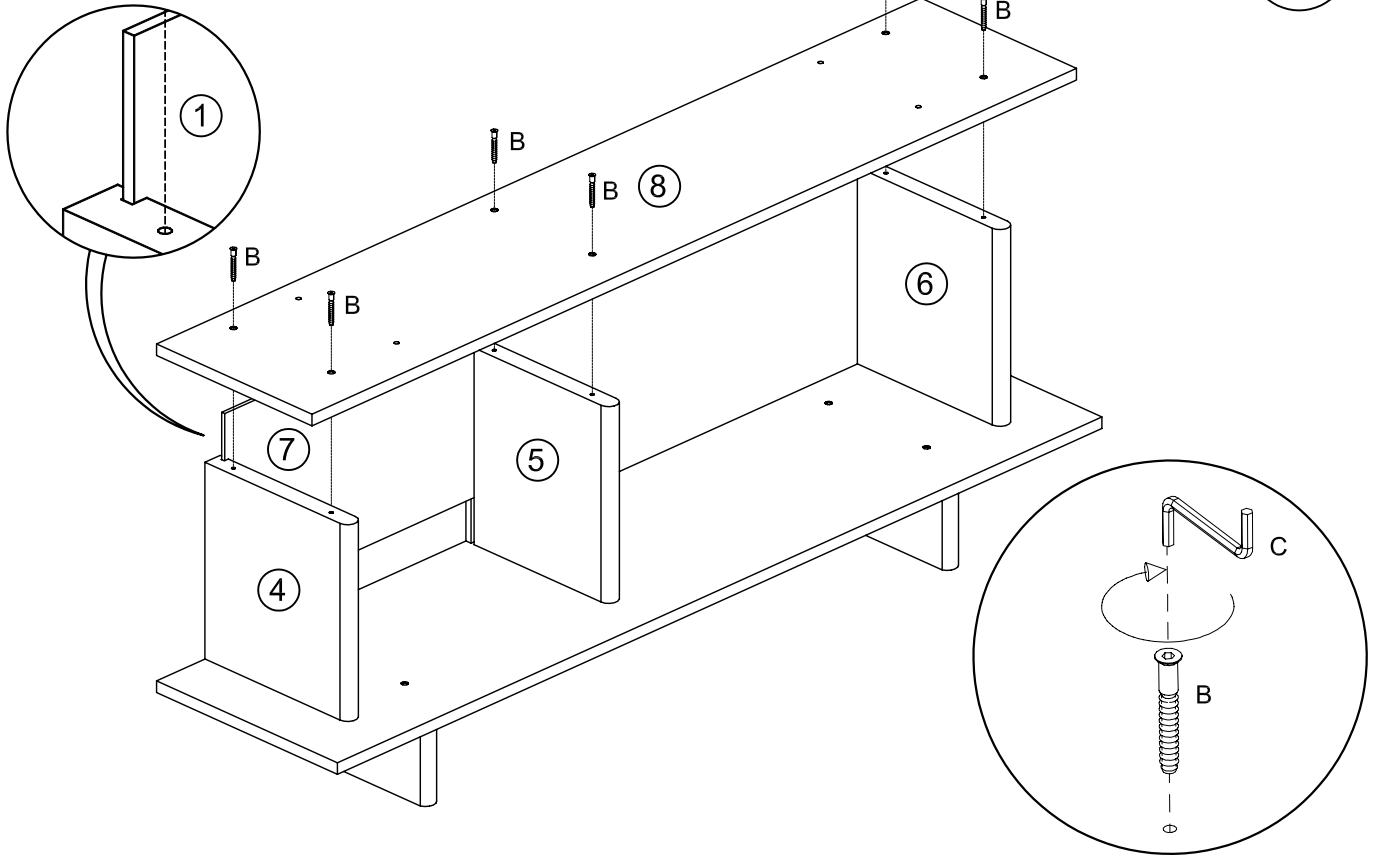
4

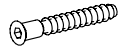



(4)

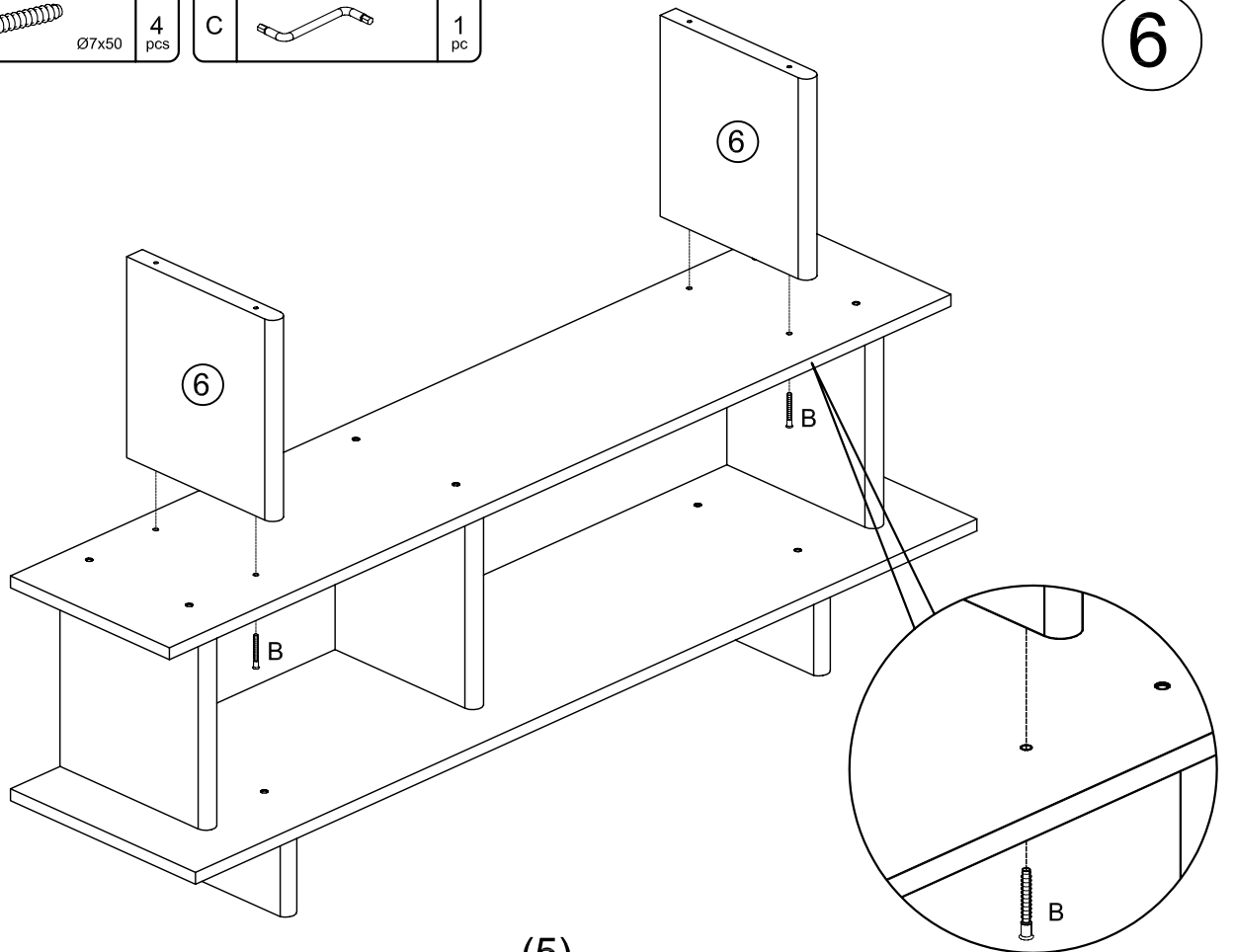
B		6 pcs	Ø7x50
C		1 pc	

5

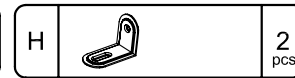
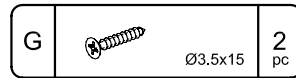
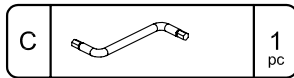
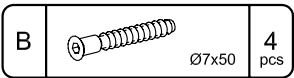


B		4 pcs	Ø7x50
C		1 pc	

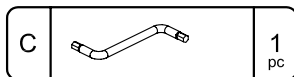
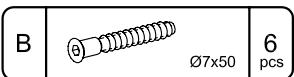
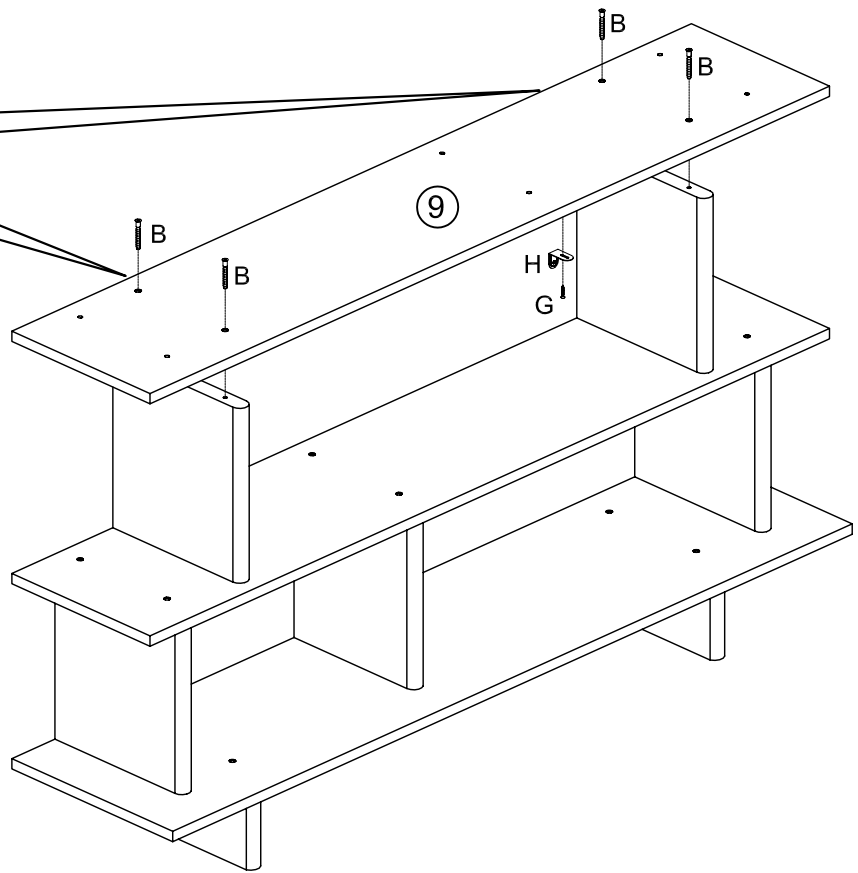
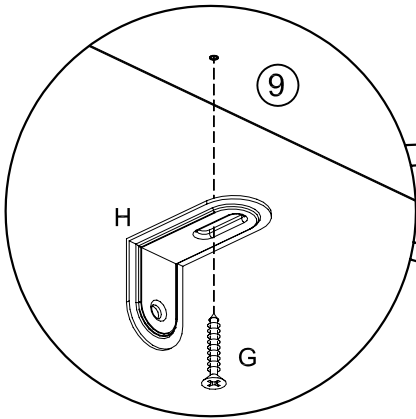
6



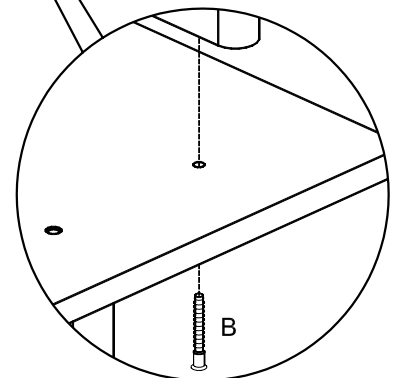
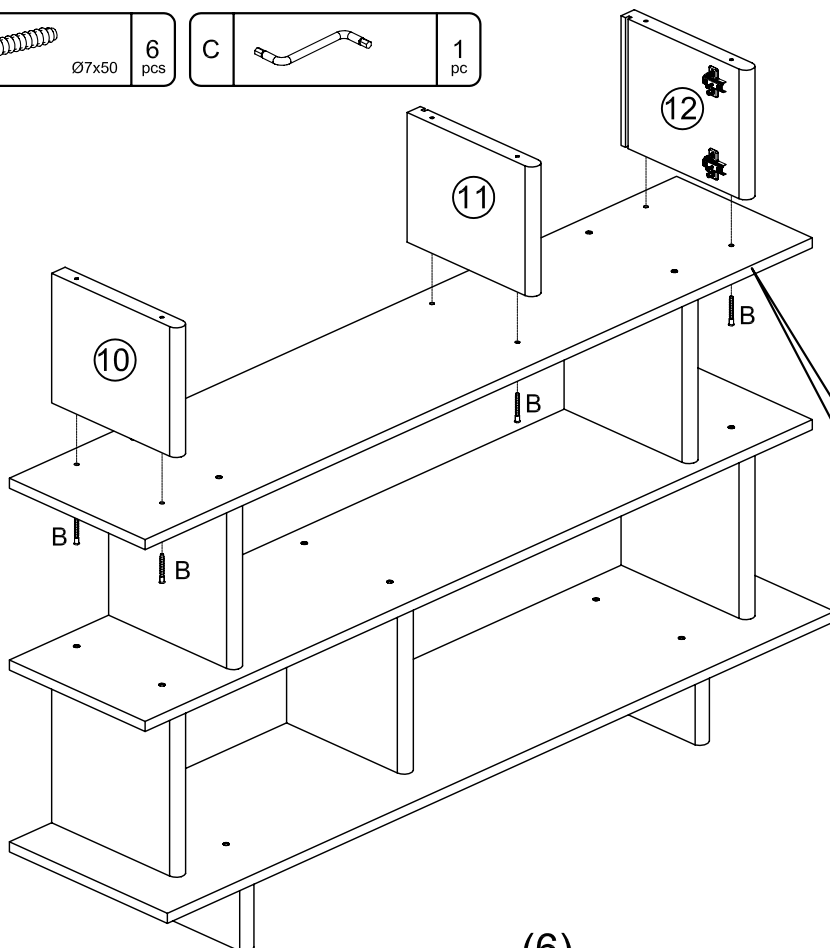
(5)



7





8

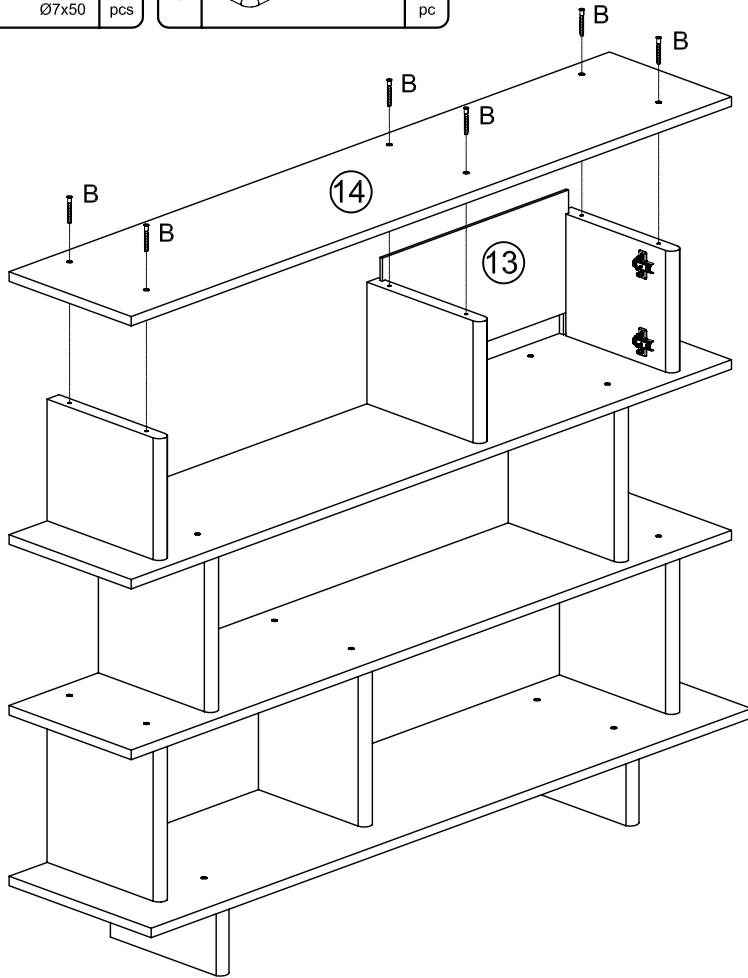


(6)


9


B  6 pcs
Ø7x50

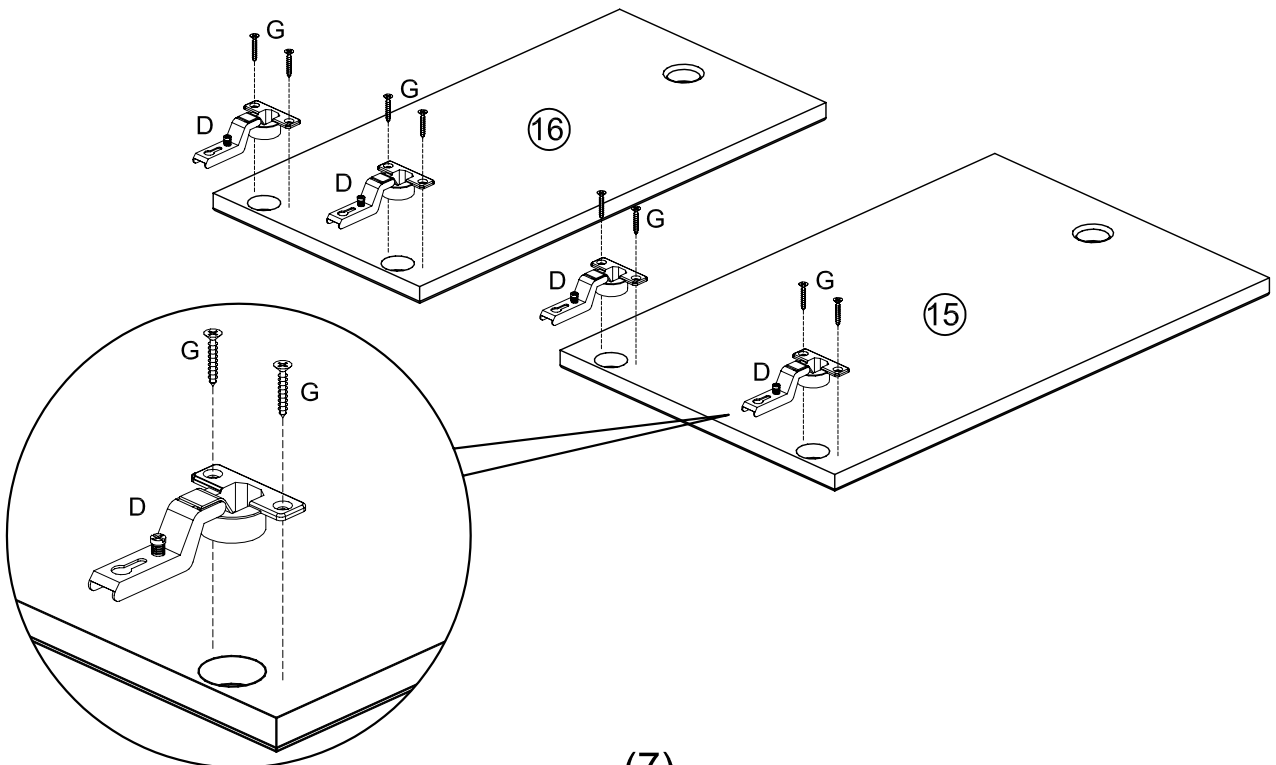
C  1 pc



10

D  4 pcs

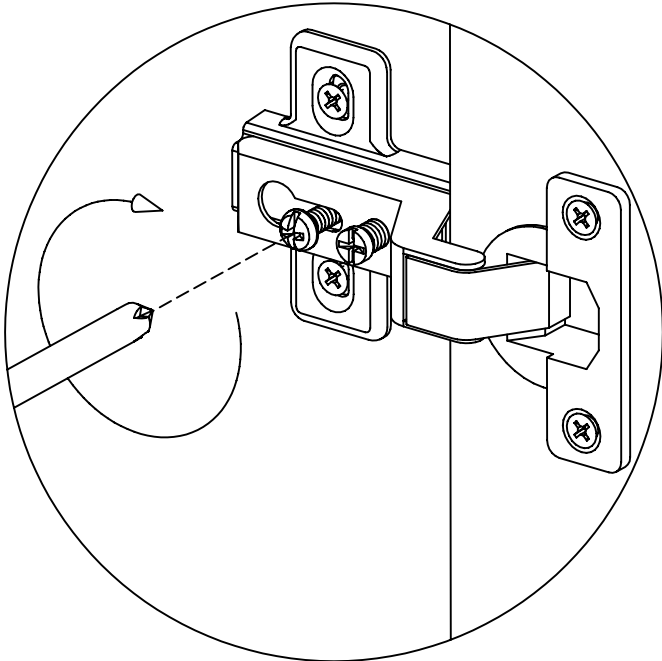
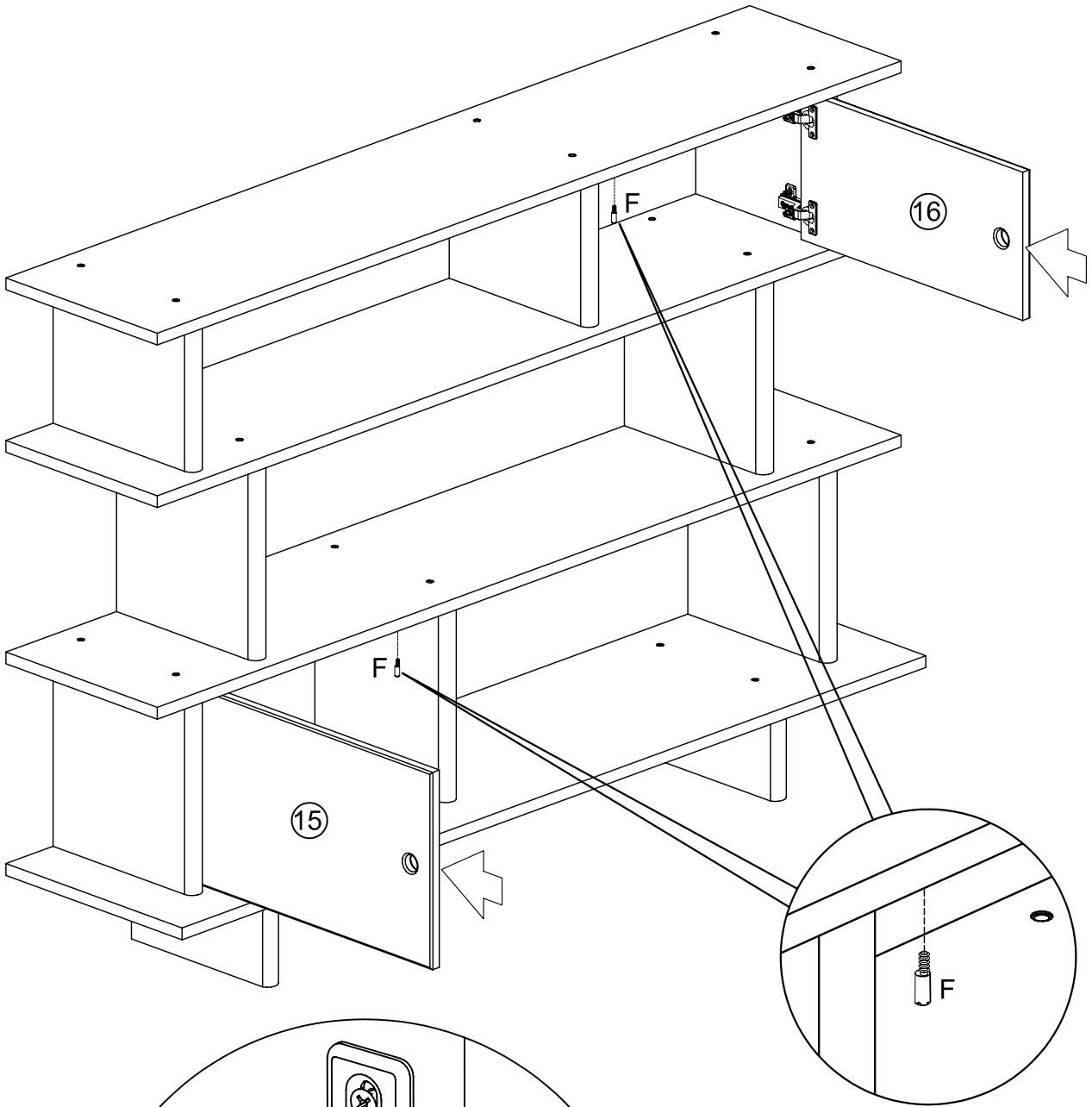
G  8 pcs
Ø3.5x15



(7)

F  2
pcs

11

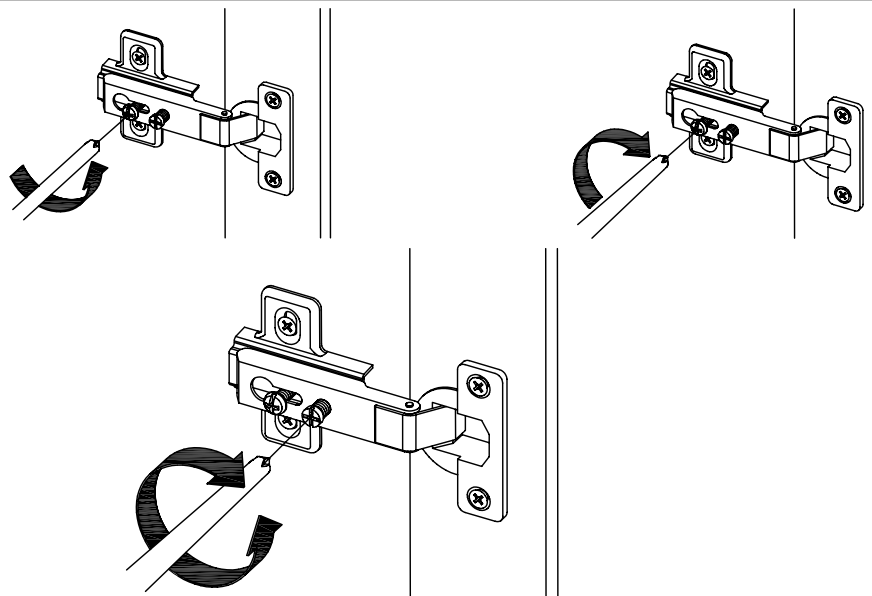
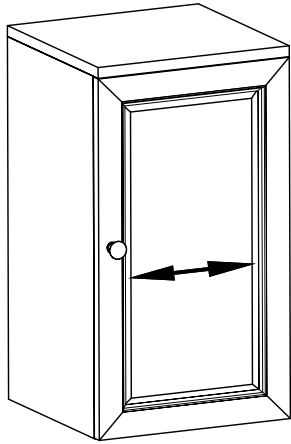


(8)

Adjusting a door. Das Richten einer Türe. Réglage d'une porte.

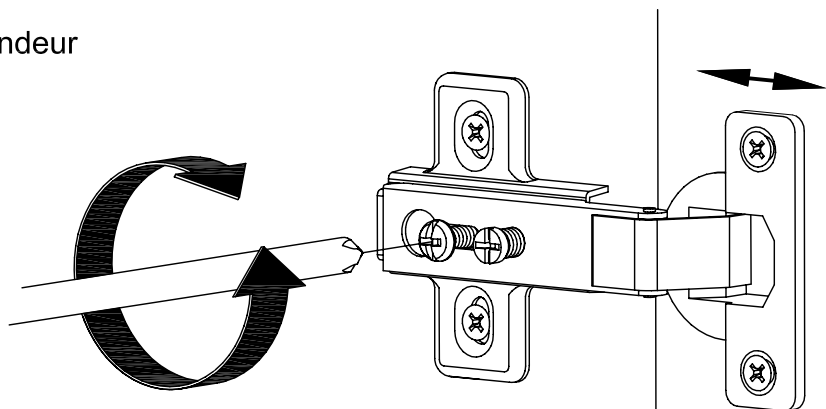
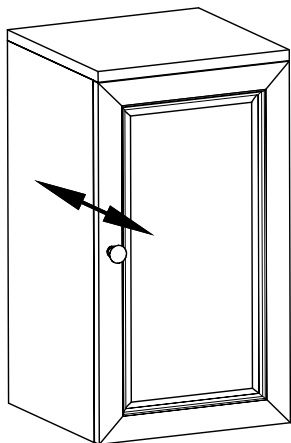
1

Side adjustment
Seiteneinstellung
Réglage latéral



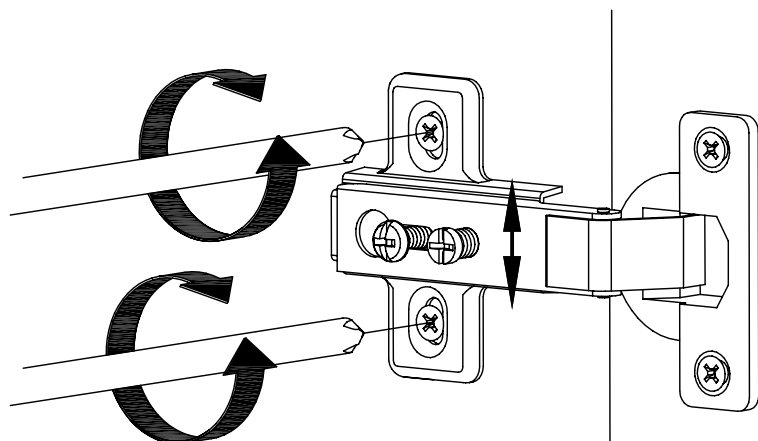
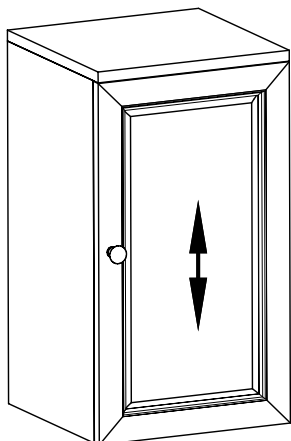
2

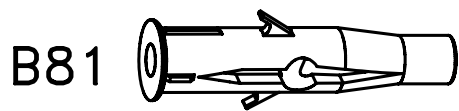
Depth adjustment
Tiefeneinstellung
Réglage en profondeur



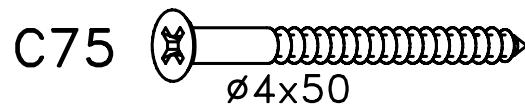
3

Adjusting the height
Höheverstellbar
Réglage en hauteur



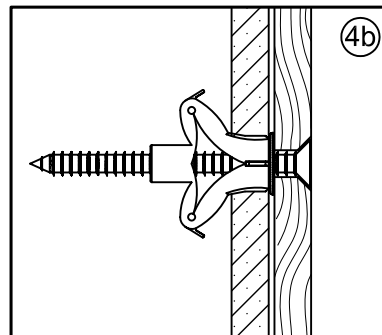
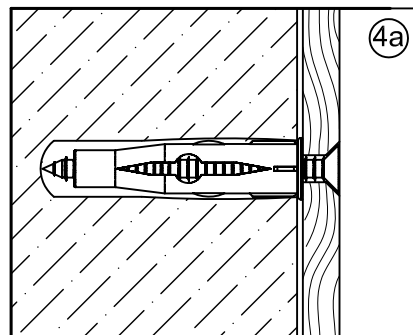
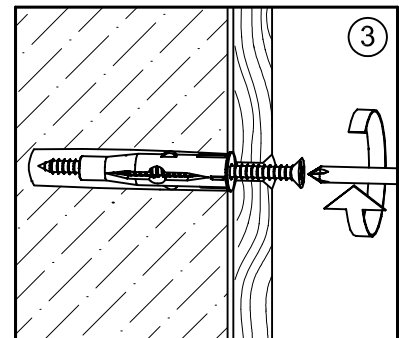
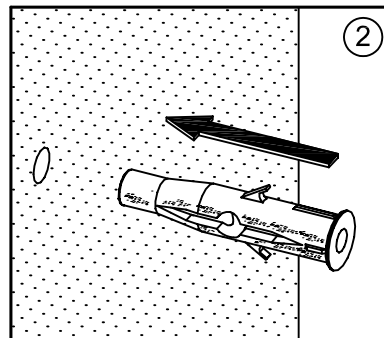
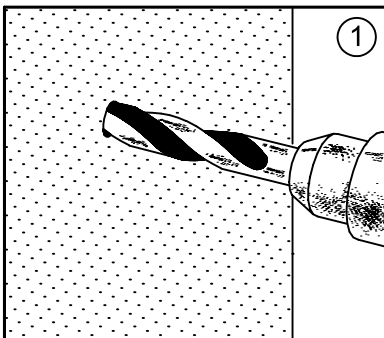


Allrounddübel
Allround fixings
Chevilles passe-partout



Spanplattenschrauben Senkkopf
Countersunk screws
Vis à tête fraisée

ø8mm



D Allrounddübel sind geeignet für :
Beton - Naturstein - Vollziegel - Kalkstein - Vollstein - Bims-Vollstein -
Gasbeton=Porenbeton - Vollgipsplatten - Hochlochziegel - Kalksandlochstein -
Hohlblock - Faserzementplatten - Gipskartonplatten - Spanplatten etc..

GB Allround fixings are suitable for :
Concrete - Natural stone - Solid brick - Solid calcium silicate brick - Pumice-breeze
block- Aircrete blocks - Solid gypsum panels - Hollow/perforated brick -
Hollow/perforated calcium silicate brick - Hollow block - Synthetic fibre boards - Gypsum
board sandwich panel - Chipboards etc..

F Chevilles passe-partout pour :
Béton - Pierre naturelle - Brique pleine - Brique silicocalcaire pleine - Ponce - Béton
cellulaire - Carreaux de plâtre - Brique creuse - Brique silicocalcaire perforée - Bloc
creux - Panneaux fibrociment - Plaques de carton plâtre - Panneaux de particules etc..