

Oeuf
Sparrow Dresser
model #1SPDR

Thank you for choosing Oeuf.

Prior to assembling this furniture please follow these steps:

- Read the instructions carefully and familiarize yourself with parts.
- Select a clean uncluttered area to open carton on.
- Carefully place all assembly hardware in box or other container to prevent losing parts while assembling.
- Assemble the furniture on the carton or carpet in order to protect the furniture finish and your floor.
- TO CLEAN FURNITURE: Wipe with a soft cotton cloth moistened with water.
- DO NOT USE ABRASIVES.
- DO NOT OVERTIGHTEN THE SCREWS

If you have any questions or comments, please call us M-F 10am-5:30pm EST at (800) 691-8810 or email to help@oeufnyc.com.

IF YOU ARE MISSING ANY COMPONENTS, CONTACT OEUF @ (800) 691-8810.
PLEASE DO NOT RETURN MERCHANDISE TO RETAILER.

Merci de choisir Oeuf.

Prenez connaissances de ces recommandations avant de commencer l'assemblage du meuble:

- Lisez attentivement les instructions et familiarisez-vous avec les différentes pièces.
- Choisissez un endroit avec suffisamment d' espace pour ouvrir la boîte et assembler le meuble.
- Placez les pièces d' assemblage dans un contenant ou à un endroit sûr afin d' éviter la perte de celles-ci.
- Assemblez votre meuble sur sa boîte d' emballage ou sur un tapis afin de protéger les pièces de votre meuble et votre sol.
- POUR NETTOYER LE MEUBLE: Essuyer avec un chiffon doux humecté d' eau.
- N'UTILISEZ PAS DE PRODUIT ABRASIF.
- NE PAS FORCER LES VIS.

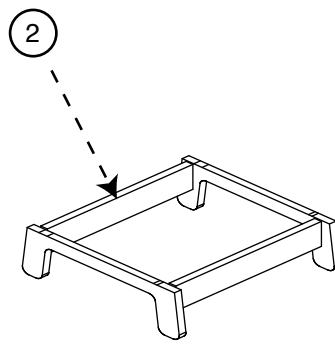
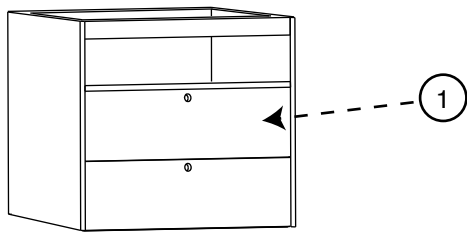
Manufactured for:
Oeuf LLC
119 8th Street, Suite #301
Brooklyn, NY 11215 USA
(800) 691-8810
email: help@oeufnyc.com
www.oeufnyc.com

Distributed in Canada by:
5514 KM Corporation
19 Industrial Street, Toronto
ON M4G 1Z2 CANADA
(800) 502-5514
email: info@5514km.ca
www.5514km.ca

Distributed in Australia by:
3 Feet High Pty Ltd.
78-80 Commonwealth St., Surry Hills
NSW 2010 AUSTRALIA
Ph 61-2-9281-0886
Fax 61-2-9281-0644
www.3feethigh.com.au







oeuf[®]

Parts List / Liste des Pièces



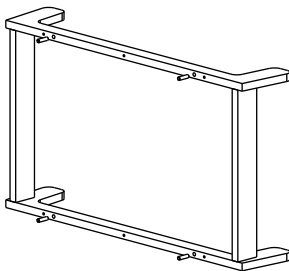
PART #	DESCRIPTION
1	DRESSER CARCASS
2	BASE

HARDWARE

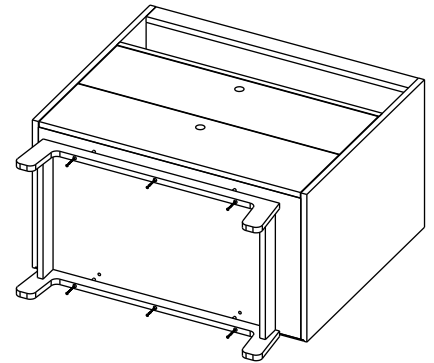
A		4 PCS	B		6 PCS	C		2 PCS
D		1 PCS	E		1 PCS	F		1 PCS



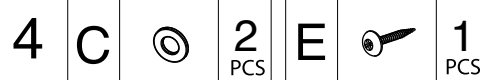
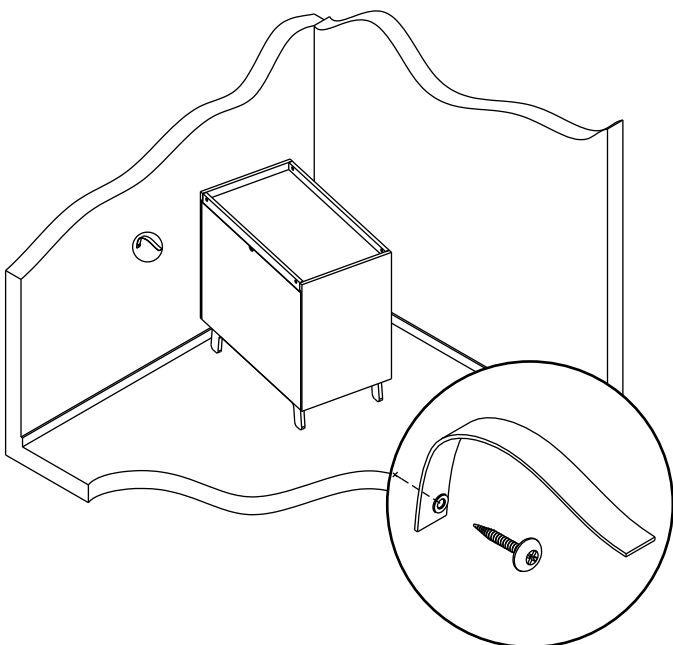
Insert dowels into holes of base.



Attach base to carcass using the dowels to help with alignment. Secure base to carcass with screws



To secure dresser to wall, determine where to locate the strap on the wall. Attach strap to wall with screw and washer (use anchor if necessary).



Feed the strap through the hole in the back of the dresser and attach to the bottom of the top of the dresser.

