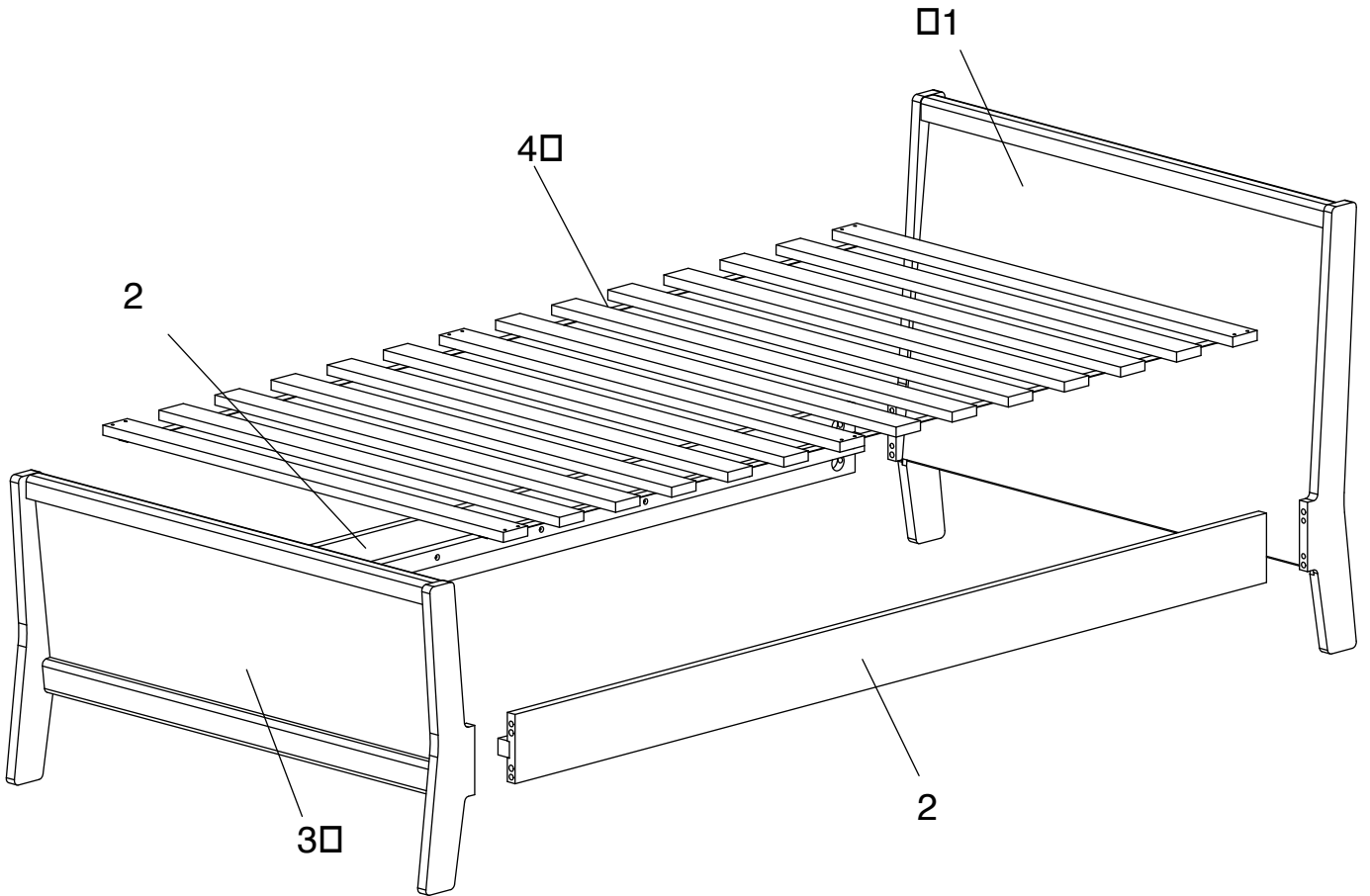


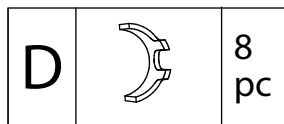
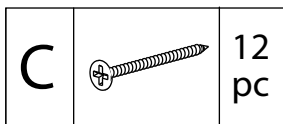
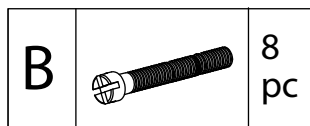
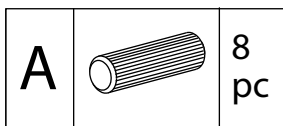


# Parts List / Liste des Pièces



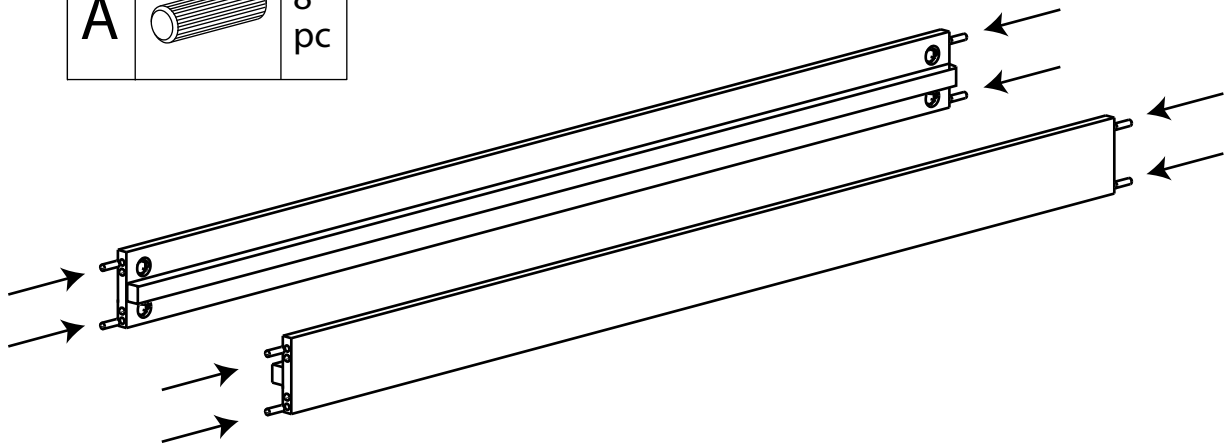
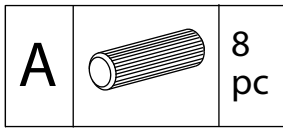
Part #	Description	Qty
1	Headboard	1
2	Bed Sides	2
3	Footboard	1
4	Mattress Support	1

## Hardware



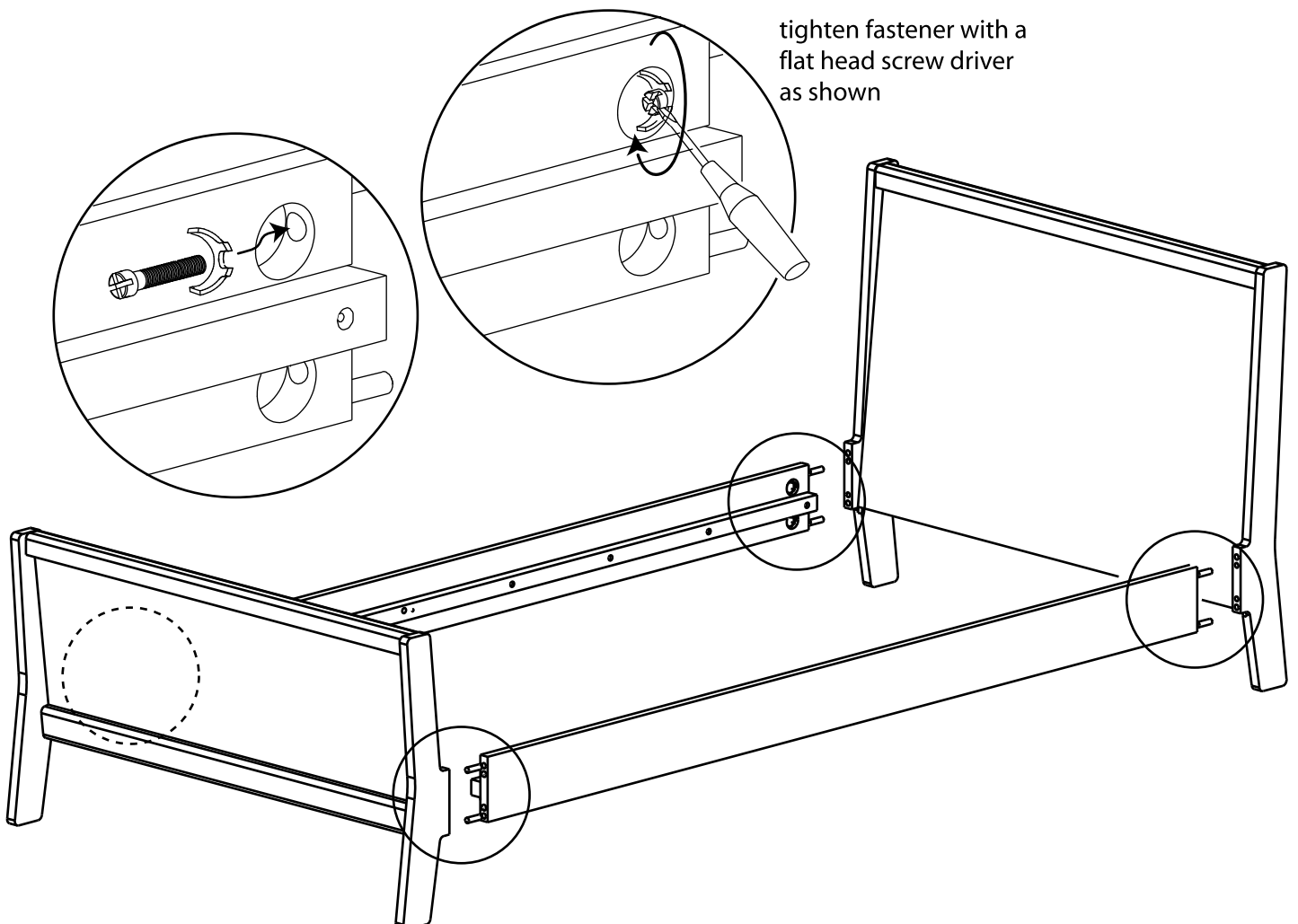
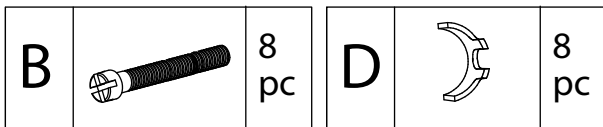
# 1 Prepare bed sides

Insert wood dowels into holes of bed sides.




# 2 Attach headboard and footboard to bed sides

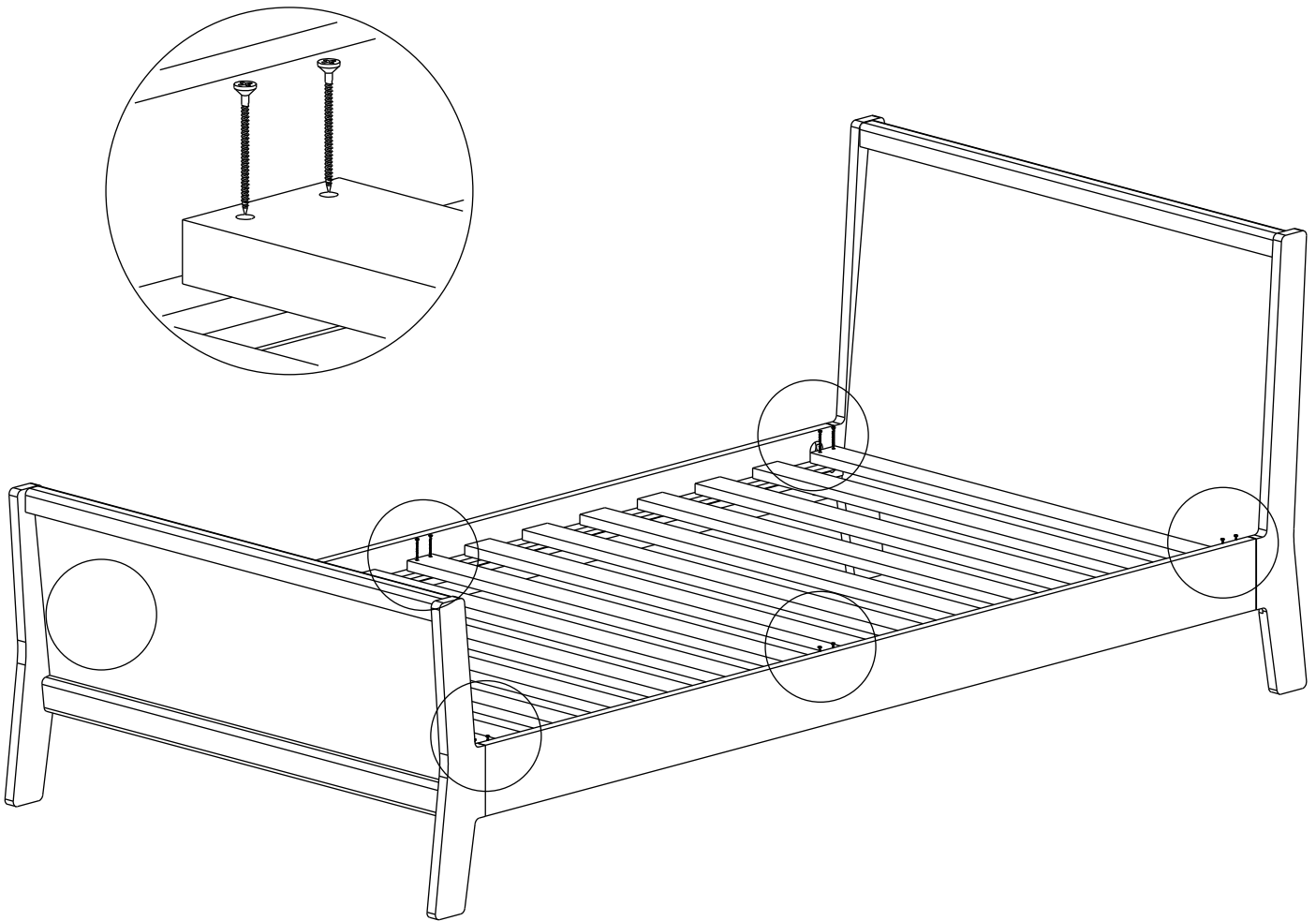
Install hardware as shown. Make sure the open end of part D is facing outward. Tighten with a flat head screw driver.



### 3 Install Mattress Support Rails

Lay out the mattress support rails and center on rails of the bed sides. Attach mattress support to rails by installing two screws at each end of the first and last rails and the center rail.

C		12 pc
---	---	----------



**Congratulation!**

Please be sure all connections are secure before using and check monthly. Tighten if necessary.