

Oeuf Toddler Bed & Conversion Kit model #TB001

Thank you for choosing Oeuf.

This bed has been designed for your child's safety. The quality materials and workmanship used to make this bed will provide a sound and comfortable environment for your baby if properly assembled and maintained.

Prior to assembling this toddler bed please follow these steps:

- Read the instructions carefully and familiarize yourself with parts.
- Select a clean uncluttered area to open carton on.
- Carefully place all assembly hardware in box or other container to prevent losing parts while assembling.
- Assemble the furniture on the carton or carpet in order to protect the furniture finish and your floor.
- TO CLEAN CRIB: Wipe with a soft cotton cloth moistened with water.
- DO NOT USE ABRASIVES.
- DO NOT OVERTIGHTEN THE SCREWS

It will be helpful to have a friend assist you with assembly.

If you have any questions or comments, please call us M-F 10am-6pm EST at (800) 691-8810 or email to help@oeufnyc.com.

Prenez connaissances de ces recommandations avant de débiter le montage du meuble:

- Lisez attentivement les instructions et familiarisez-vous avec les différentes pièces.
- Choisissez un endroit avec suffisamment d' espace pour ouvrir la boîte et assembler le meuble.
- Placez les pièces d' assemblage dans un contenant ou à un endroit sûr afin d' éviter la perte de celles-ci.
- Assemblez votre meuble sur sa boîte d' emballage ou sur un tapis afin de protéger les pièces de votre et votre recouvrement de plancher.
- POUR NETTOYER LE MEUBLE: Essuyer avec un chiffon doux humecté d' eau.
- N'UTILISEZ PAS DE PRODUIT ABRASIF.

Manufactured for:
Oeuf LLC
119 8th Street, Suite #301
Brooklyn, NY 11215 USA
(800) 691-8810
email: help@oeufnyc.com
www.oeufnyc.com

Distributed in Canada by:
5514 KM Corporation
19 Industrial Street, Toronto
ON M4G 1Z2 CANADA
(800) 502-5514
email: info@5514km.ca
www.5514km.ca

Distributed in Australia by:
3 Feet High Pty Ltd.
78-80 Commonwealth St., Surry Hills
NSW 2010 AUSTRALIA
Ph 61-2-9281-0886
Fax 61-2-9281-0644
www.3feethigh.com.au

oeuf[®]

WARNING

Failure to follow these warnings and assembly instructions could result in serious injury or death from entrapment or strangulation. **DO NOT** place bed near windows where cords from blinds or drapes may strangle child.

- Read all instructions before assembling bed.

KEEP INSTRUCTIONS IN POUCH PROVIDED WITH BASE FOR FUTURE USE.

- Before each usage or assembly, inspect toddler bed for damaged hardware, loose joints, missing parts, or sharp edges. **DO NOT** use toddler bed if any parts are missing or broken. Ask your dealer or write to OEUF for replacement parts and instructional literature if needed. **DO NOT** substitute parts.

- The minimum age for use of this bed shall not be less than 15 months and the maximum weight shall not be greater than 50 lbs (22.7 kg).

-Upon completion of assembly, be sure all screws and bolts have been tightened securely. A periodic check should be made of all screws and bolts and retighten if necessary.

-Never use plastic shipping bags or other plastic film as mattress covers because they can cause suffocation.

- **DO NOT** use a water mattress with this toddler bed.

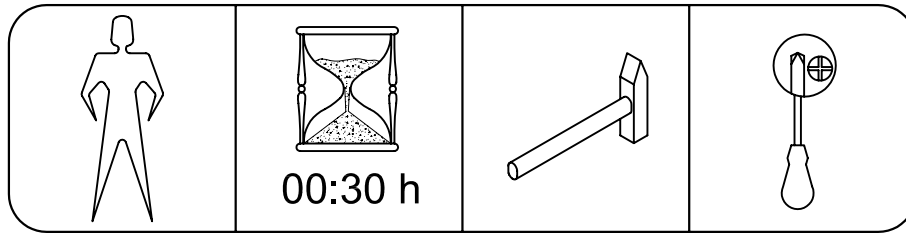
-The guardrails must be installed and securely attached to base.

-The mattress intended for use on this toddler bed must be a **FULL-SIZE** crib mattress having minimum dimensions of 51-5/8 inches (131 cm) in length, 27-1/4 inches (69 cm) in width and 4 inches (10 cm) minimum to 6 inches (15 cm) maximum in thickness.

WARNING: string causes strangulation!

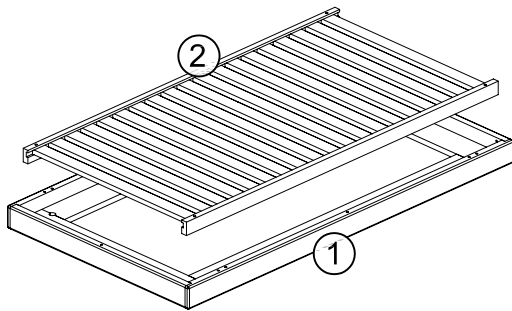
DO NOT place items with a string around child's neck, such as hood strings or pacifier cords.

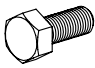
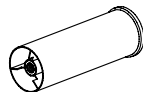
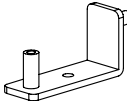
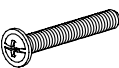
DO NOT suspend strings over toddler bed or attach strings to toys.



Parts List - Base
(not incl. with Toddler Bed Conversion Kit)

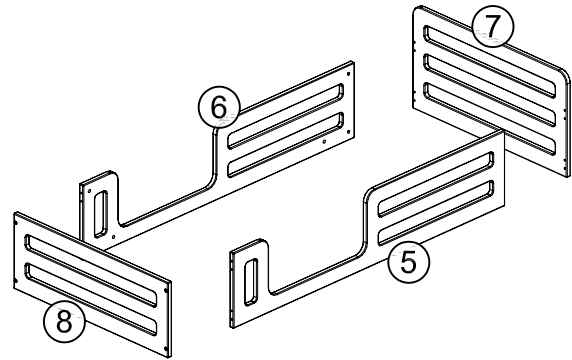
Liste des Pièces




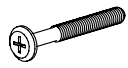
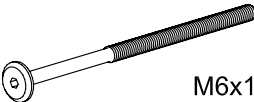


A		M8x20	4 pcs
B			4 pcs
C			4 pcs
D		M4x35	4 pcs

Parts List - Toddler Bed Sides

Liste des Pièces



E		Ø6x30	16 pcs
F			1 pc
G		Ø10x13	12 pcs
H		M6x50	8 pcs
I		M6x120	4 pcs

**** TODDLER BED CONVERSION KIT**

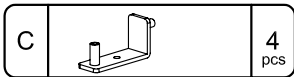
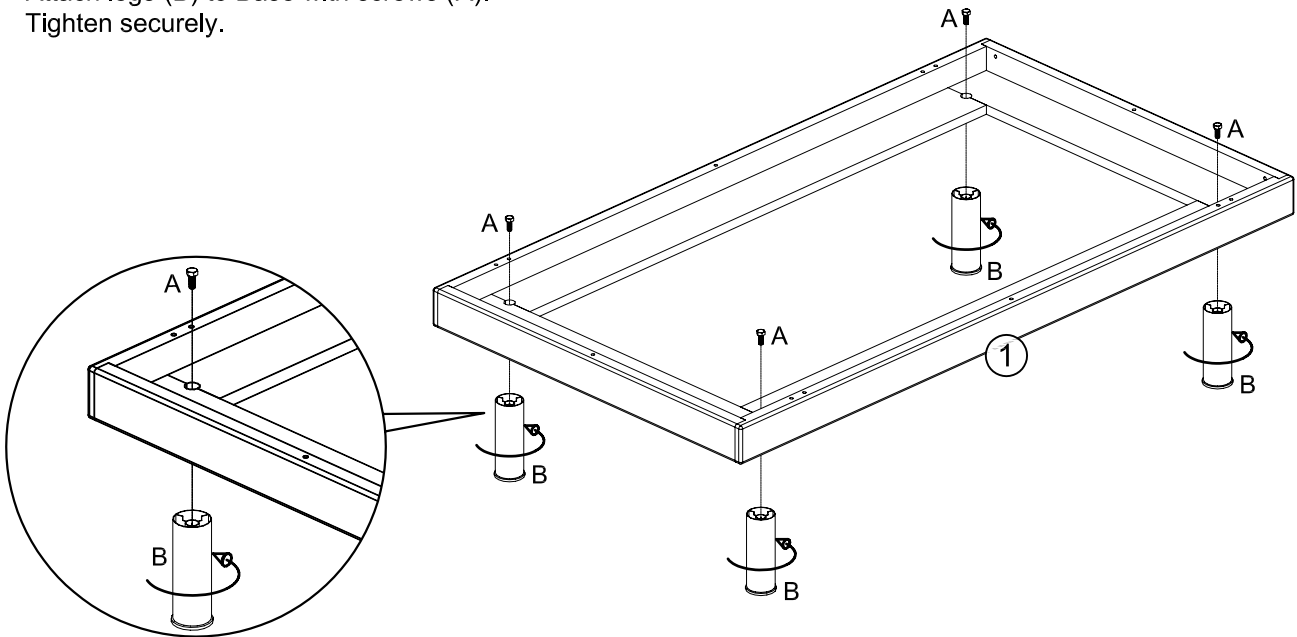
To convert your Oeuf Crib into a Toddler Bed, remove the sides of the crib from the base platform and replace them with the toddler bed sides. Please following the enclosed instructions STARTING ON PAGE (6) for assembly details.

The Oeuf Conversion Kit does not come with a base.



1

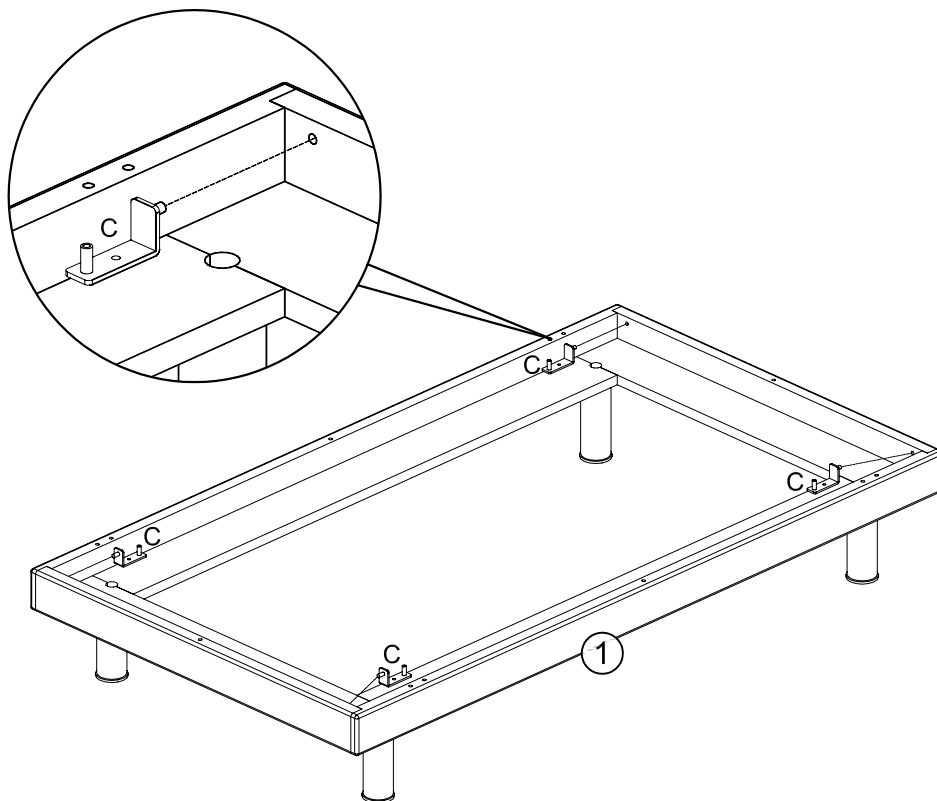
Attach legs (B) to Base with screws (A).
Tighten securely.



2

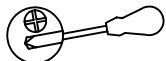
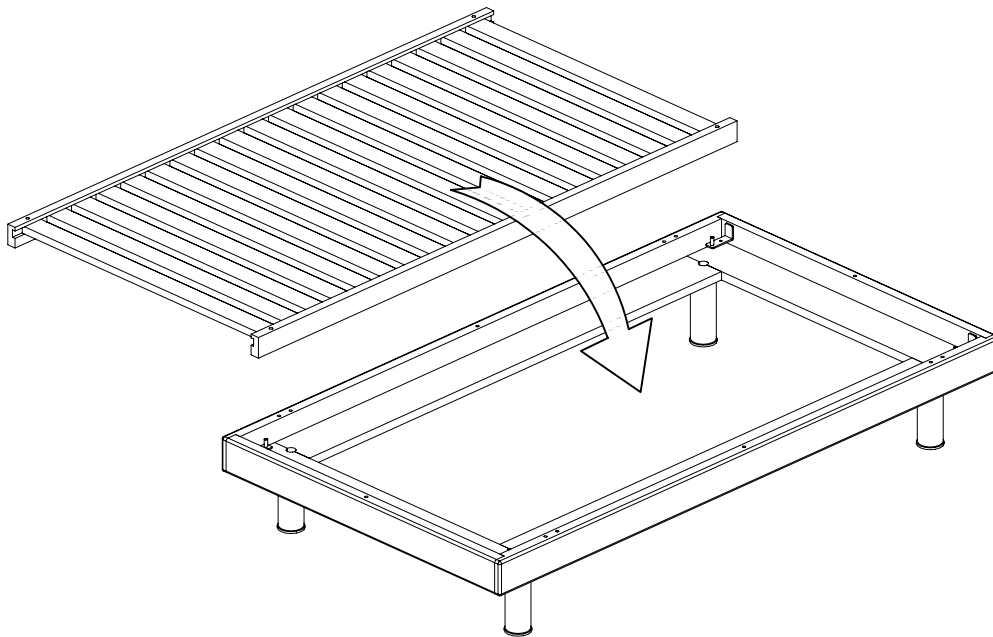
For TODDLER BED assembly, insert mattress support tabs (C) in the holes in the base.

Pour l'assemblage du lit d'enfant, insérer les pattes d'attache du soutien (C) de matelas dans les trous de la plateforme.



(4)

3

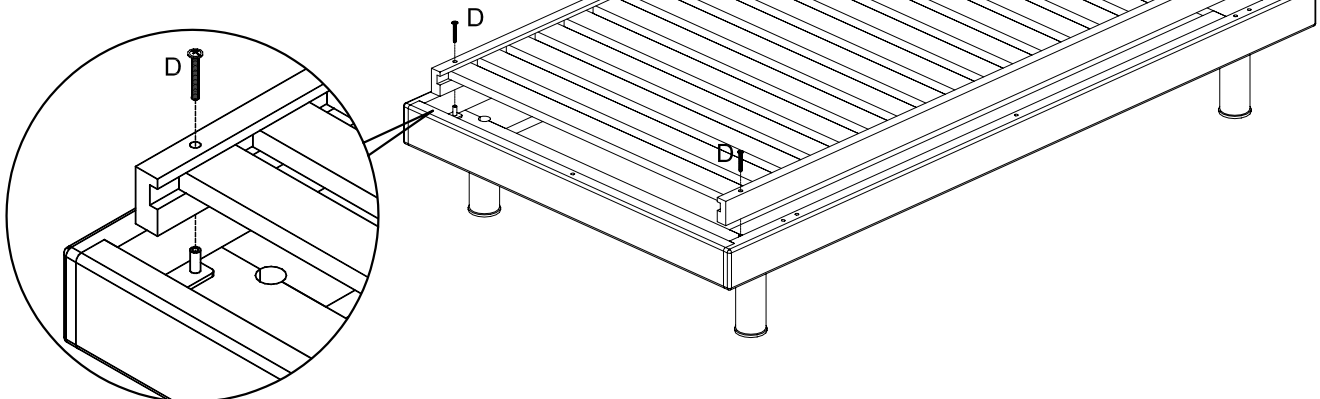


4

Assembly for CRIB with mattress set at lowest position, secure the mattress support (2) to the tabs (C) with screws (D).

Tighten screws securely.

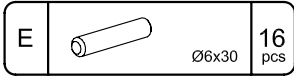
Assemblage pour lit d'enfant et lit a barreaux avec le matelas en position la plus basse.
Le support de matelas doit etre solidement visser avec les vis (C) aux pattes d'attache (D).



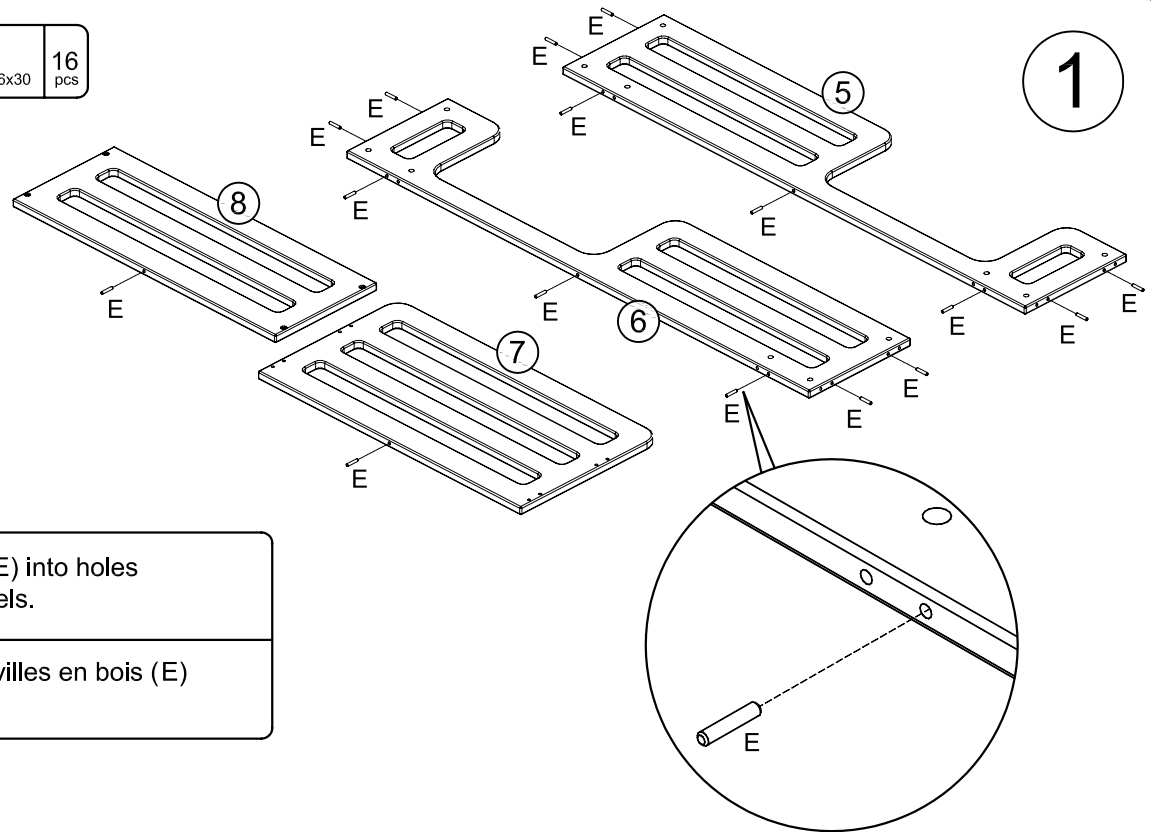
To continue with assembly, open separate box containing sides of crib and follow instructions.

Pour continuer l'assemblage, ouvrir les cartons individuels contenant les panneaux du lit a barreaux ou du lit d'enfant et suivez les instructions.

(5)

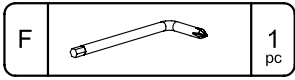
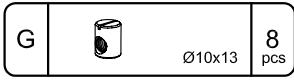


1



Insert dowels (E) into holes of the side panels.

Insérer les chevilles en bois (E) dans les trous.



2

Insert cross dowels (G) into holes of the side panels.

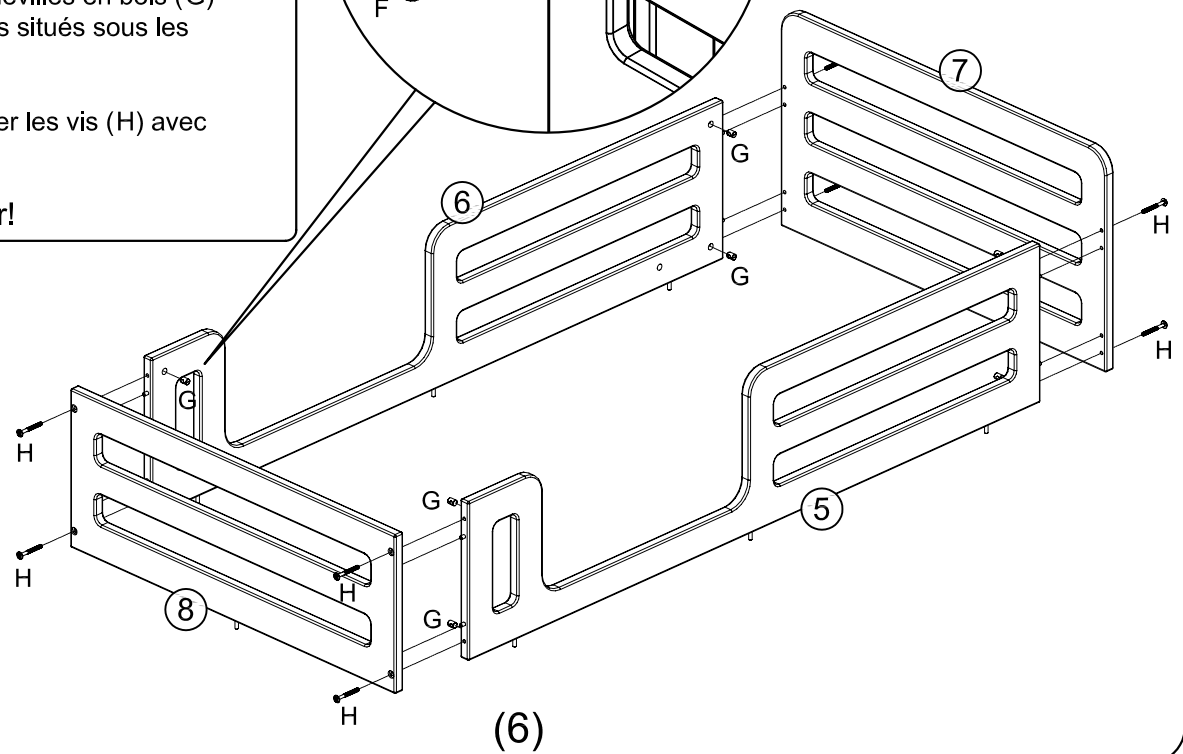
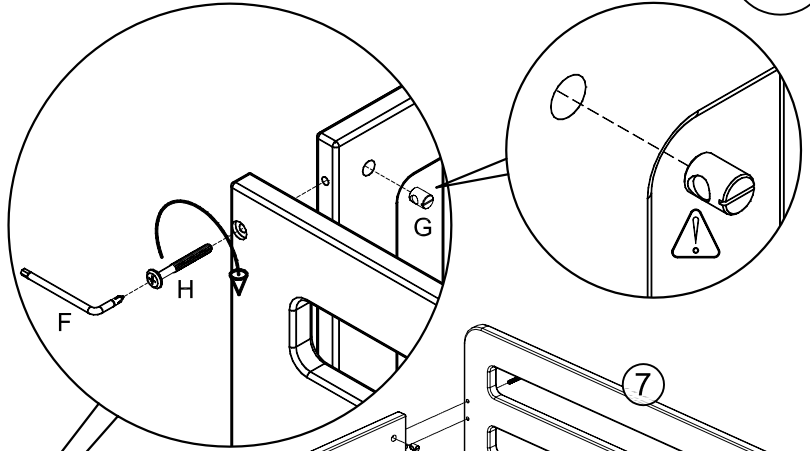
Insert and secure screws (H) with tool (F).

Do not over tighten!

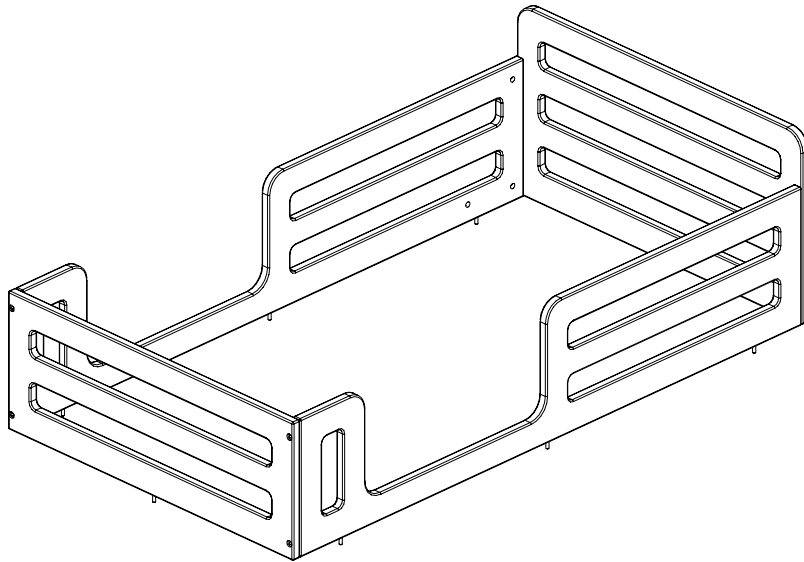
Insérer les chevilles en bois (G) dans les trous situés sous les panneaux.

Insérer et visser les vis (H) avec l'outil (F).

Sans forcer!



(6)



3

Place the sides on to the base, aligning the dowels with the holes in base.

Insert cross dowels (G) into holes.

Attach sides to base with Screws (I).

Placer les panneaux sous la plateforme en alignant les chevilles en bois avec les trous de la plateforme.

Insérer les boulons à écrou transversal (G) dans les trous.

Attacher les panneaux à la plateforme avec les vis (I).

