



Oeuf Toy Store
model # 1TS001

Thank you for choosing Oeuf.

The Oeuf Toy Store was inspired by old-fashioned Parisian fruit stands. It has the flexibility to accommodate various size toys and games by creating different size compartments with the removable dividers. The wooden tilting boxes enable your child easy access to their toys and encourages them to sort them in a variety of ways.

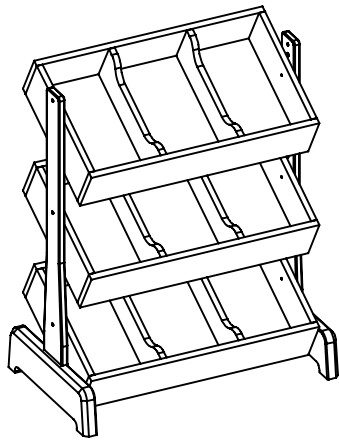
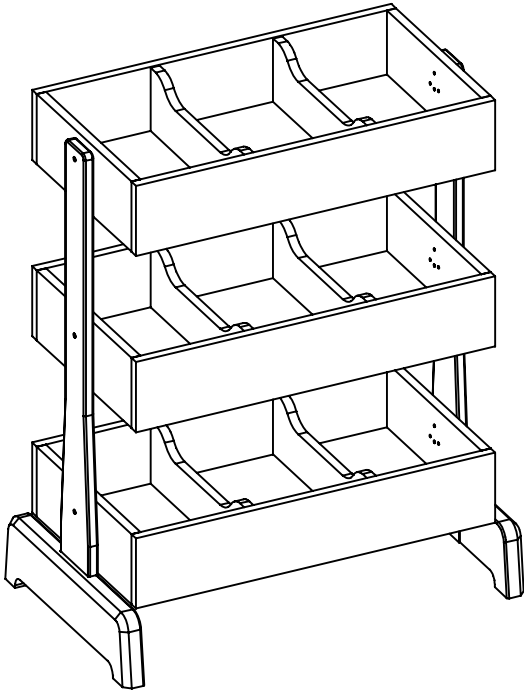
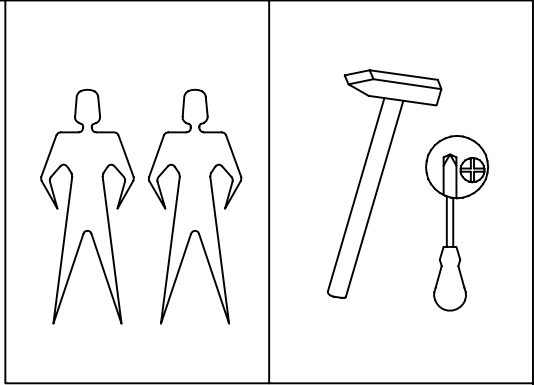
If you have any questions or comments, please contact us M-F 10 am - 6 pm EST at (800) 691-8810 or email at help@oeufnyc.com.

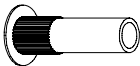
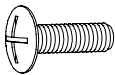
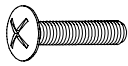
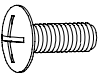
IF YOU ARE MISSING ANY HARDWARE OR COMPONENTS, PLEASE CONTACT OEUF.

Manufactured for:
Oeuf LLC
119 8th Street, Suite #301
Brooklyn, NY 11215 USA
(800) 691-8810
email: help@oeufnyc.com
www.oeufnyc.com

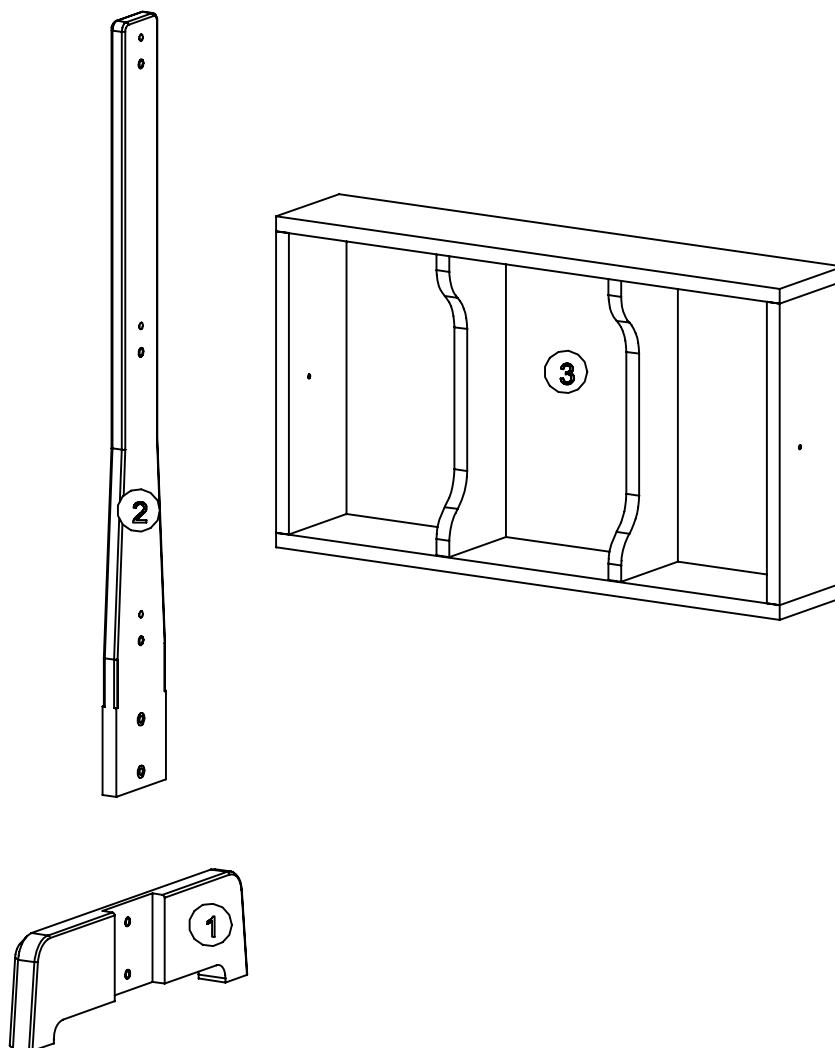
Distributed in Canada by:
5514 KM Corporation
19 Industrial Street, Toronto
ON M4G 1Z2 CANADA
(800) 502-5514
email: info@5514km.ca
www.5514km.ca

Distributed in Australia by:
3 Feet High Pty Ltd.
78-80 Commonwealth St., Surry Hills
NSW 2010 AUSTRALIA
Ph 61-2-9281-0886
Fax 61-2-9281-0644
www.3feethigh.com.au



A43		x6	A45		x6 M6x20	A46		x4 M6x30
A44		x6 M6x15						

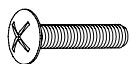
11303



Pieces nr.	Quantity	Dimensions, mm	✓
1	2	480 x 133 x 38	
2	2	940 x 110 x 19	
3	3	710 x 368 x 140	

11303

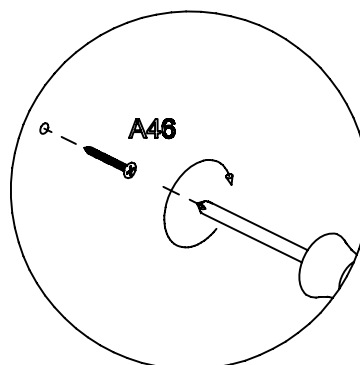
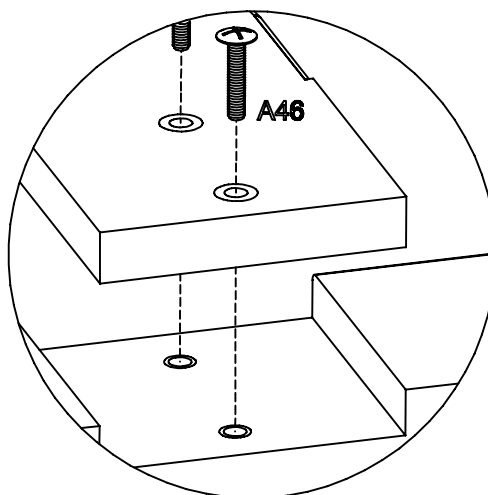
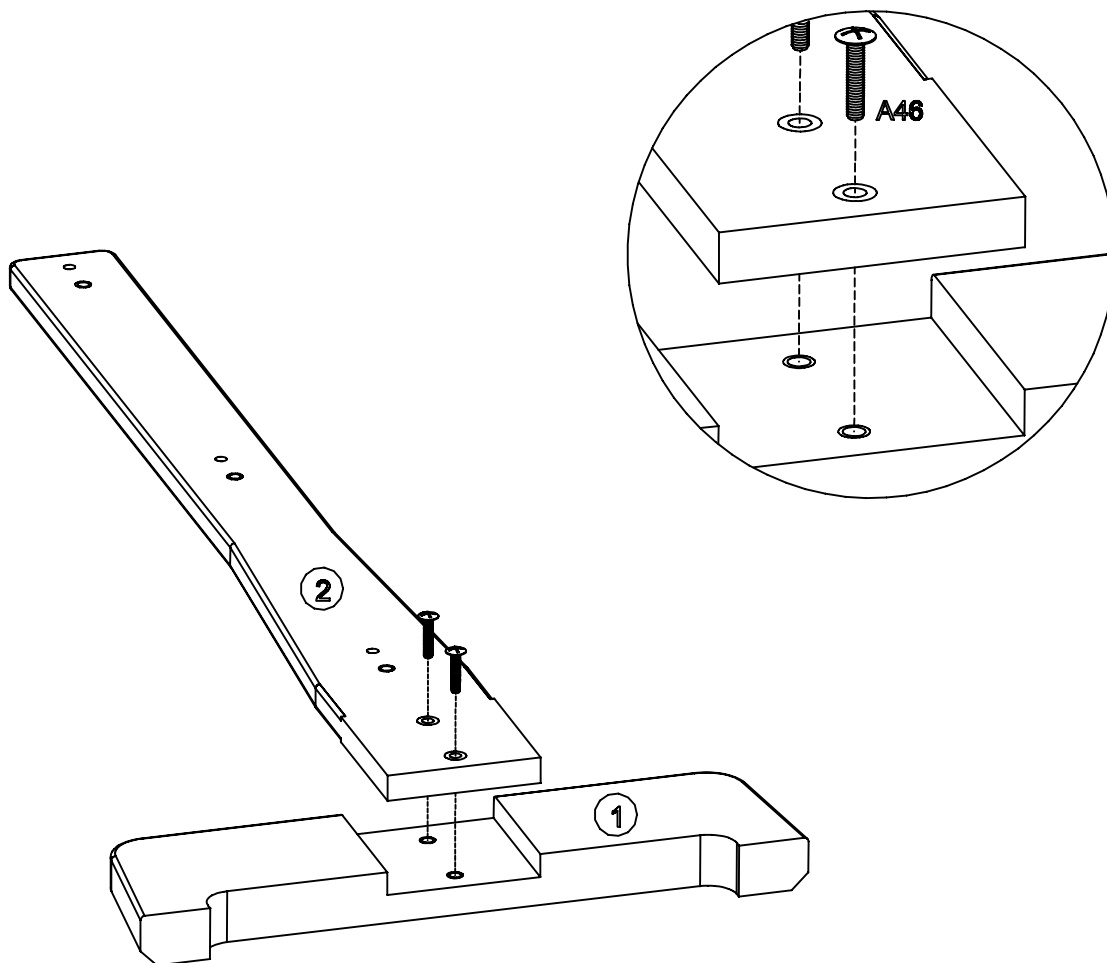
A46



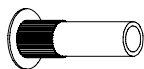
x4

M6x30

1 x2

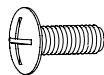


A43



x6

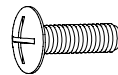
A44



x6

M6x15

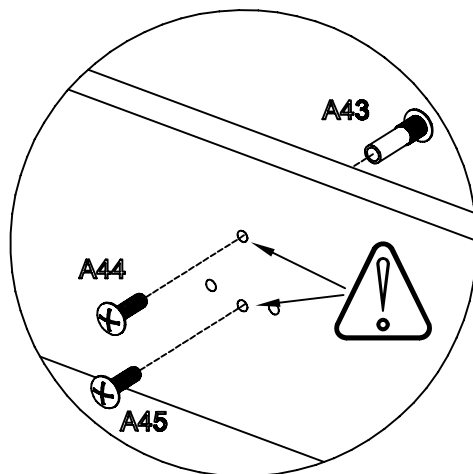
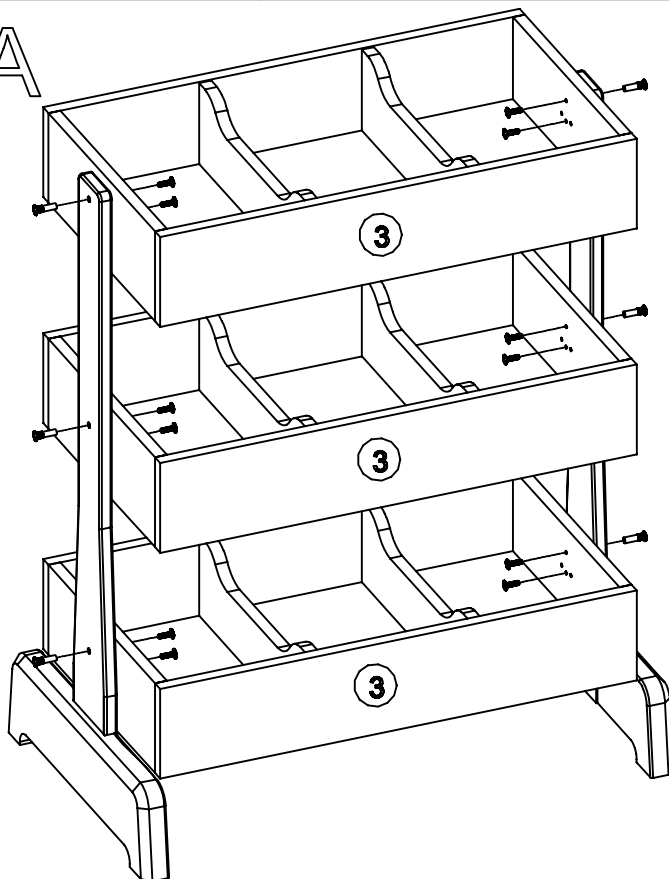
A45



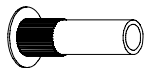
x6

M6x20

2-A

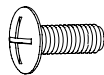


A43



x6

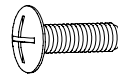
A44



x6

M6x15

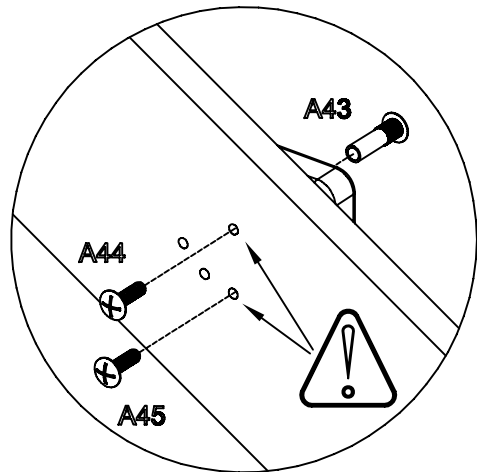
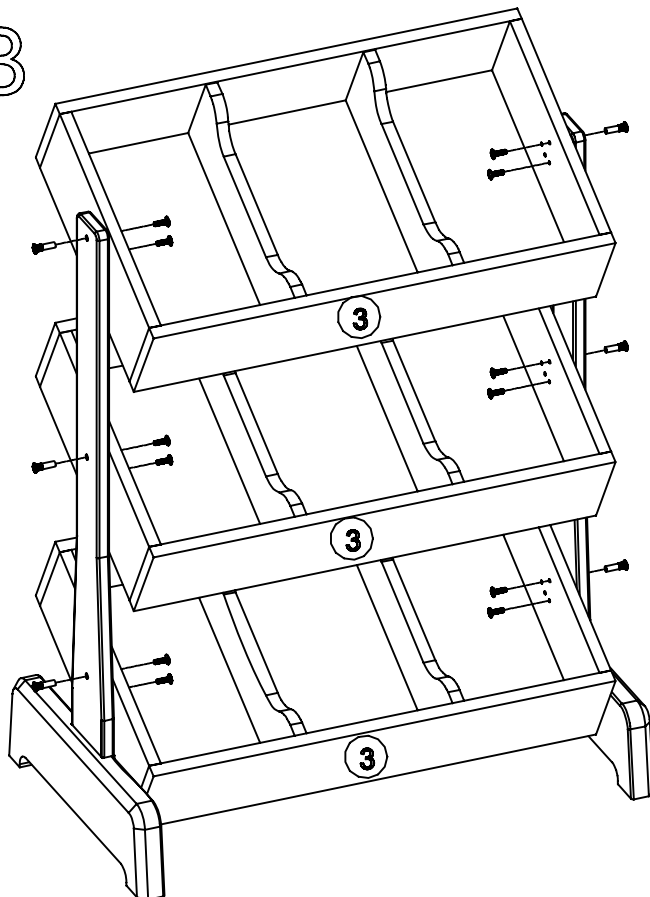
A45



x6

M6x20

2-B



11303