

valco
baby

ION FOR 2 STROLLER

PRODUCT REFERENCE GUIDE

Thank you for purchasing a quality VALCO BABY product. Please read and follow the instructions outlined in this guide carefully. Familiarise yourself with the construction and safety features; be sure that you understand all the warnings and safety guidelines before use.

Important: Please read the following instructions carefully before assembling this product. Retain this guide in a safe place for future reference.



Due to our policy of continuous product development, this product is constantly evolving. It is possible that some features or procedures outlined here have changed since this document was written. If you are unsure of any procedure shown here, please contact us via the web at info@valco.com.au to obtain the most up to date information before use. Include the batch number, which can be found on a sticker on the frame.

All pictures and diagrams herein are provided for illustration purposes only. Actual product, colour or fabric may vary. VALCO BABY reserves the right to modify or alter any specification or colour without notice or obligation to modify any product previously purchased

FURTHER INFORMATION

In Australia/New Zealand

www.valco.com.au

In North America only

www.valcobaby.com
1800 610 7850



© Copyright VE 2009

ION FOR 2 ASSEMBLY

Remove the stroller from the carton and dispose of all packaging thoughtfully.

FIGURE A

1. Lift your stroller handle upward. You will feel the stroller chassis opening.

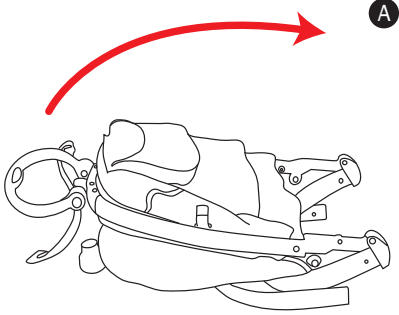
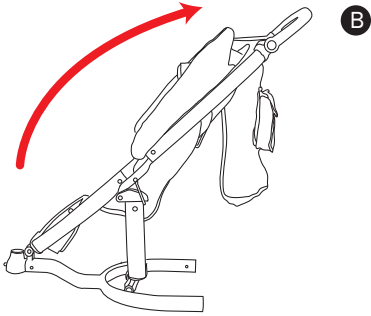


FIGURE B

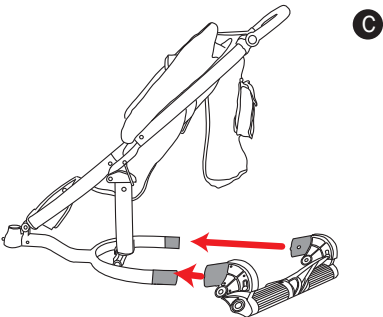
2. Continue unfolding the chassis until you hear the chassis click open in the locked position.



INSERTING REAR AXLE

FIGURE C

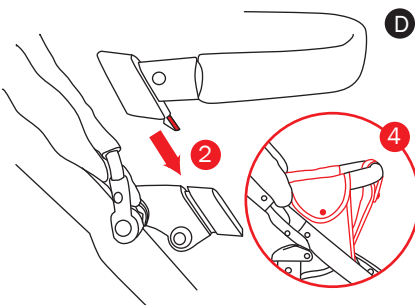
1. Align the plastic housings of the silver brake section with the open tubes of the rear of the stroller chassis.
2. Insert the housings over the open tubes until the brake section locks securely into place. **IMPORTANT:** Test that the brake section is securely engaged onto the stroller frame by pulling on it firmly.



INSERTING BUMPER BAR

FIGURE D

1. Align the plastic housings of the bumper bar with the housing on the sides of the stroller chassis.
2. Slide the bumper bar into the housing along the housing tracks until it locks into place.
3. Repeat procedure for the second bar on the other side of the stroller.
4. Pull the sides of the seat fabric, and the crotch strap over the bumper bar and snap into position.
5. To remove the bumper bar, unsnap the crotch strap and the seat sides from the bumper bar.
6. Lift both bumper bar latches found on the underside of the each side of the bumper bar housing, while simultaneously lifting the bumper bar to slide it free.



INSERTING REAR WHEELS

FIGURE E

1. Simultaneously press on the spring loaded axle button and insert it through the central hub of the rear wheel. Repeat this process for the other rear wheel.

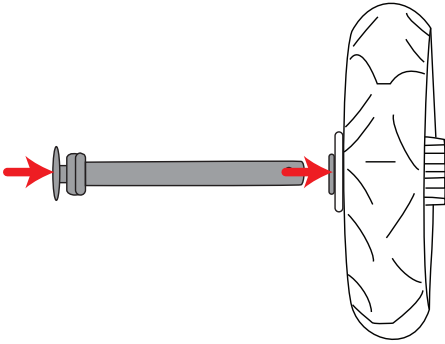


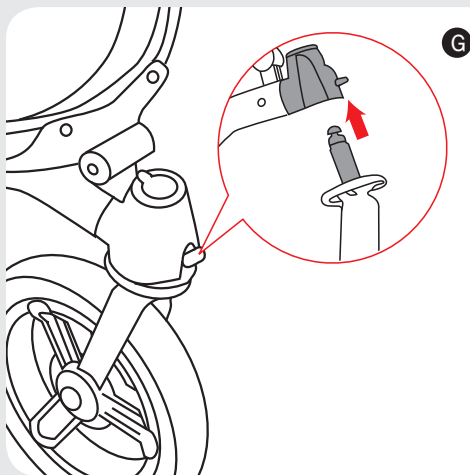
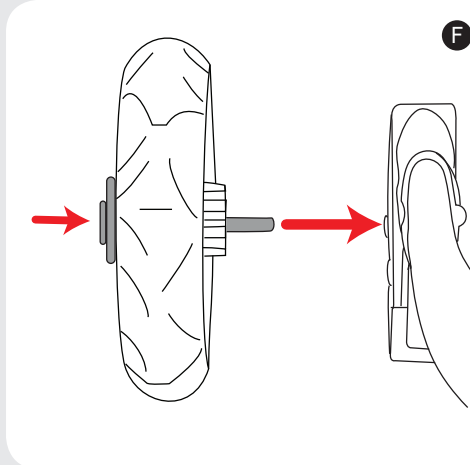
FIGURE F

2. Pressing the axle button again, insert the axle end into the side of the brake housing as far as it will go. Release the axle button and pull slightly on the wheel to ensure that it has securely engaged.

INSERTING THE FRONT WHEELS

FIGURE G

1. Grasping the front wheel by the shaft, align the shaft with the hole in the underside of the swivel housing.
2. Insert the shaft into the housing as far as it can go until it engages securely.
3. Repeat the procedure for the other front wheel.

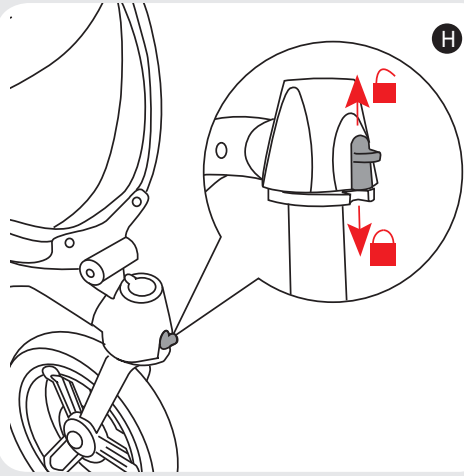


IMPORTANT: Pull the wheel downward to test that it has securely engaged in the housing.

SECURING THE FRONT WHEELS

FIGURE H

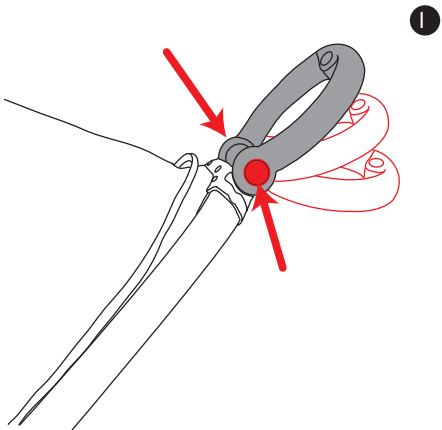
1. Your front wheels can be set to swivel freely (360°) or can be fixed in place for use over rough or sandy surfaces.
2. To fix the front wheel in the non swivel position, turn the wheel so that the two notches on both housings line up. Press down firmly on the swivel lock until it locks into place.
3. To unlock simply lift the locking tab until it locks in the open position.



ADJUSTING THE HANDLE

FIGURE I

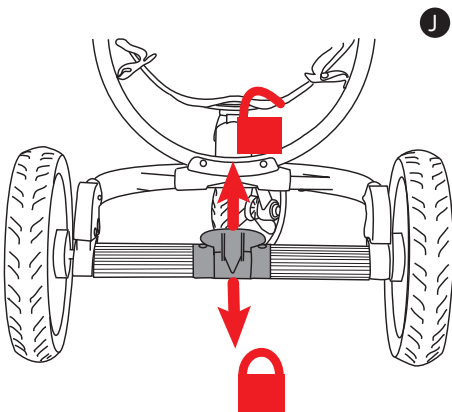
1. Your handle has been ergonomically designed to provide a truly comfortable ride for parents and guardians of all heights.
2. To adjust your handle, simultaneously press the two release buttons on either side of the handle, moving it to the desired position.

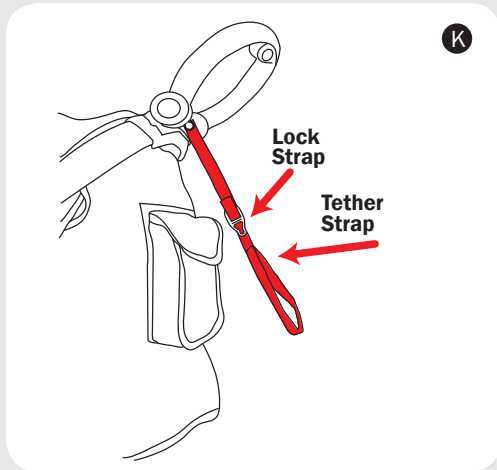


USING YOUR BRAKE SYSTEM

FIGURE J

1. To engage the brake press down on the central red brake pedal, at the tab that is closest to you.
2. To disengage, simply reverse the process.



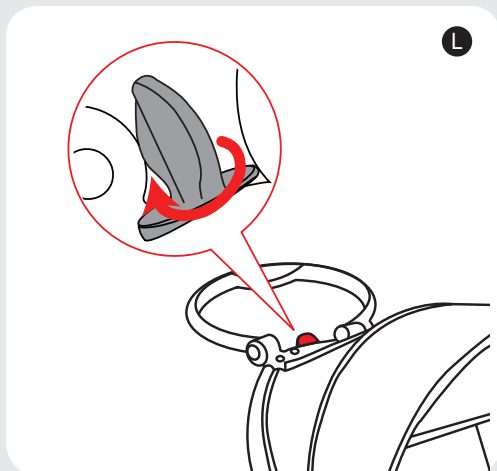


TETHER STRAP

FIGURE K

1. Your stroller has been equipped with a safety tether strap. This strap has been designed to always keep your stroller within constant reach.
NOTE: The tether strap doubles as your locking strap (Figure O).

IMPORTANT: ALWAYS SLIP THE LOOP IN THE STRAP SECURELY OVER YOUR WRIST WHENEVER A CHILD IS IN YOUR STROLLER.



FOLDING YOUR STROLLER

FIGURE L

1. Push hood back against the frame.
2. To fold your stroller, turn the release key clockwise and push the handle forward releasing the stroller frame slightly.

FIGURE M

1. Lift the secondary locking latch clear of the plastic frame catch. This latch is spring loaded and you may need to hold it open as you push the handle forward.
2. Push the handle forward.



INSERTING REAR AXLE

FIGURE N

4. Continue to fold the frame forward. Make sure that the lock strap is threaded through handlebars

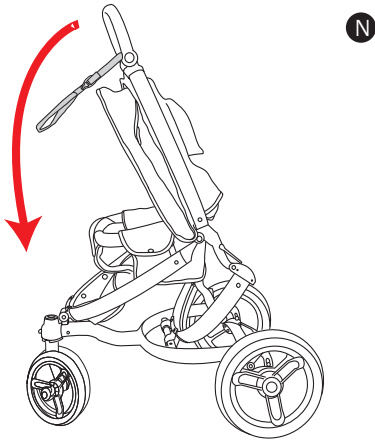


FIGURE O

6. To lock the frame, the keyhole of the lock strap should be engaged over the locking pin found on the frame chassis behind the front wheel. Click securely into place.

HINT: ADJUST THE HANDLE 180° BACKWARD TO CREATE THE SMALLEST FOLD

USING YOUR HARNESS

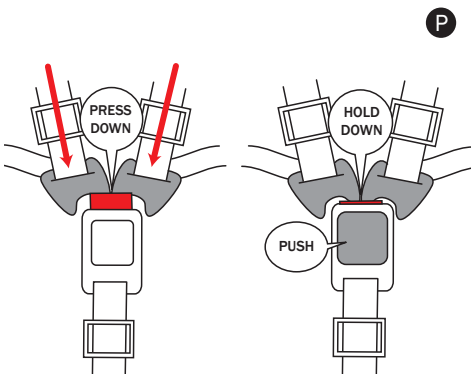
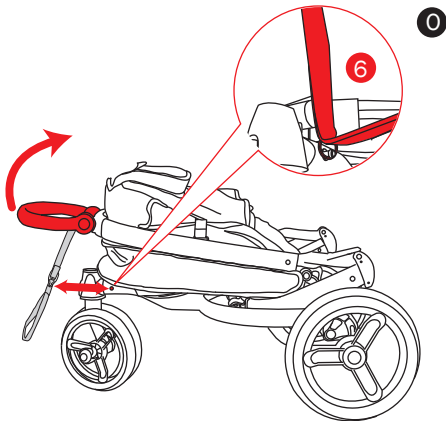
FIGURE P

Your stroller is fitted with our unique new multi point safety harness system. Your child **MUST** always be harnessed while in the stroller

TO OPEN YOUR HARNESS

1. Press down on the Buckle Prongs.
2. Simultaneously push the release button in the centre of the buckle
3. Pull the buckles from the Buckle Housing

NOTE: THIS PROCESS MAY BE DIFFICULT AS YOUR BUCKLE SYSTEM HAS BEEN DESIGNED TO MEET VERY STRINGENT SAFETY STANDARDS AND ENSURE THAT A CHILD CANNOT RELEASE THE HARNESS UNAIDED.



USING YOUR HARNESS

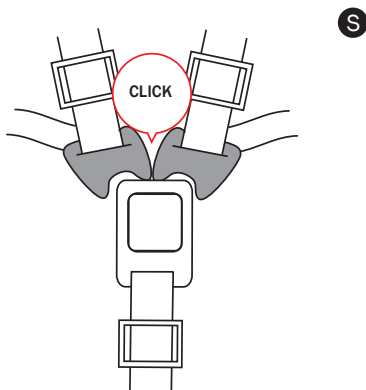
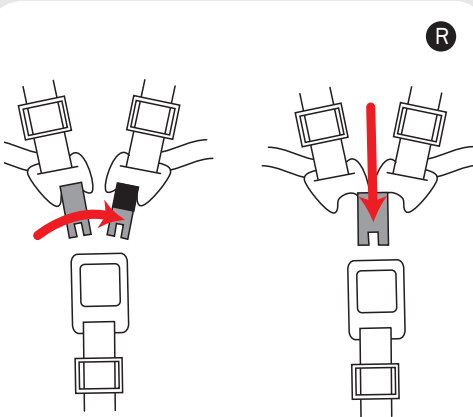
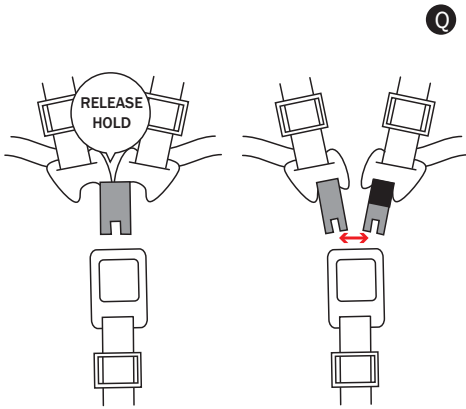
FIGURE Q

TO SECURE YOUR CHILD IN THE HARNESS.

1. Overlap buckles so that they fit together to form one complete buckle.

FIGURE R AND Q

1. Insert the completed buckle into the Buckle Housing until it engages securely in place.
2. Carefully adjust the harness straps to snugly fit your child by adjusting the sliders located on all shoulder straps, waist straps and the crotch strap.
3. Your harness can be adjusted for even more comfort for smaller or larger children (at the top of the seat back and front of the seat) by threading/removing the crotch or shoulder straps through the webbing sewn into the seat. You will need to detach the waist straps at the sides of the stroller in order to do so. (To detach the waist straps: With a pincer movement, depress the centre buckle button and pull the strap free from the housing.)



WARNING

- **FOLLOW THE MANUFACTURER'S INSTRUCTIONS.**
- **PUT ON ALL THE BRAKES WHENEVER YOU PARK THE PRAM/STROLLER.**
- **DO NOT LEAVE CHILDREN UNATTENDED.**
- **DO NOT CARRY EXTRA CHILDREN OR BAGS ON THIS PRAM/STROLLER.**
- **MAKE SURE CHILDREN ARE CLEAR OF ANY MOVING PARTS IF YOU ADJUST THE PRAM/STROLLER. OTHERWISE THEY MAY BE INJURED.**

Remember, your child's safety is your responsibility...

- NEVER USE ON STAIRS OR ESCALATORS.
- ALWAYS USE THE TETHER STRAP WHEN THE STROLLER IS IN USE.
- THE CORRECT USE AND MAINTENANCE OF THIS VEHICLE ARE ESSENTIAL.
- BE SURE THAT ALL CLAMPS AND BUCKLES ARE SECURELY FIXED AND IN PLACE BEFORE USE
- WHEN IN THE STROLLER, YOUR CHILD MUST ALWAYS WEAR THE SAFETY HARNESS, CORRECTLY FITTED AND ADJUSTED, AT ALL TIMES.
- THE MAXIMUM WEIGHT OF THE CHILD FOR WHICH THIS STROLLER WAS INTENDED IS 18 KGS.
- CAN BE USED FROM A NEWBORN BABY ONWARDS. A COCOON, SPECIALLY DESIGNED TO BE USED WITH A STROLLER, IS RECOMMENDED WHEN ANY FULLY RECLINING STROLLER IS USED WITH A NEWBORN.
- NEVER RUN WITH A NEWBORN BABY IN ANY PRAM OR STROLLER UNTIL THE CHILD CAN SIT UP UNASSISTED (APPROXIMATELY 6 MONTHS).
- CHECK ALL PARTS BEFORE USE FOR BREAKAGE OR FATIGUE. DISCONTINUE USE IMMEDIATELY IF ANY PART IS FOUND TO BE DAMAGED OR BROKEN.
- MAXIMUM LOAD OF BASKETS: 3.5KGS.
- DO NOT CARRY ADDITIONAL CHILDREN. THIS STROLLER IS MANUFACTURED FOR THE USE WITH ONE CHILD ONLY
- ALWAYS BE AWARE OF THE RISKS PROVIDED BY FIRE AND OTHER SIGNIFICANT SOURCES OF HEAT SUCH AS RADIATORS, ETC. WHICH MAY BE IN THE IMMEDIATE VICINITY OF YOUR STROLLER.
- IT MAY BE UNSAFE TO USE ANY ACCESSORIES OTHER THAN VALCO BABY APPROVED ONES.
- THIS PRODUCT IS INTENDED FOR DOMESTIC USE ONLY. IT IS NOT INTENDED FOR COMMERCIAL USE.

Should the chassis become wet, dry off promptly before storing. If this pram is used near the ocean or salted roads, spray the chassis and seat frame with water and dry. We recommend a rust inhibiting product should be used to prevent rust and fatigue on metal parts.

We recommend that you wipe down axles and lubricate the wheels every 3 months. Sand and dirt can grind down axles, if you live near the beach or in a dusty environment you must wipe down the axles and wheels then lubricate them monthly.

AXLES ARE BEST LUBRICATED WITH GREASE OR PETROLEUM JELLY. MOVING PARTS ARE BEST LUBRICATED WITH SILICONE BASED PRODUCTS. DO NOT USE OIL BASED PRODUCTS.

The logo for Valco Baby, featuring the word "valco" in a large, lowercase, serif font above the word "baby" in a smaller, lowercase, serif font. The text is white and set against a dark rectangular background.

In Australia/New Zealand

www.valco.com.au

In North America only

**www.valcobaby.com
1 800 610 7850**