

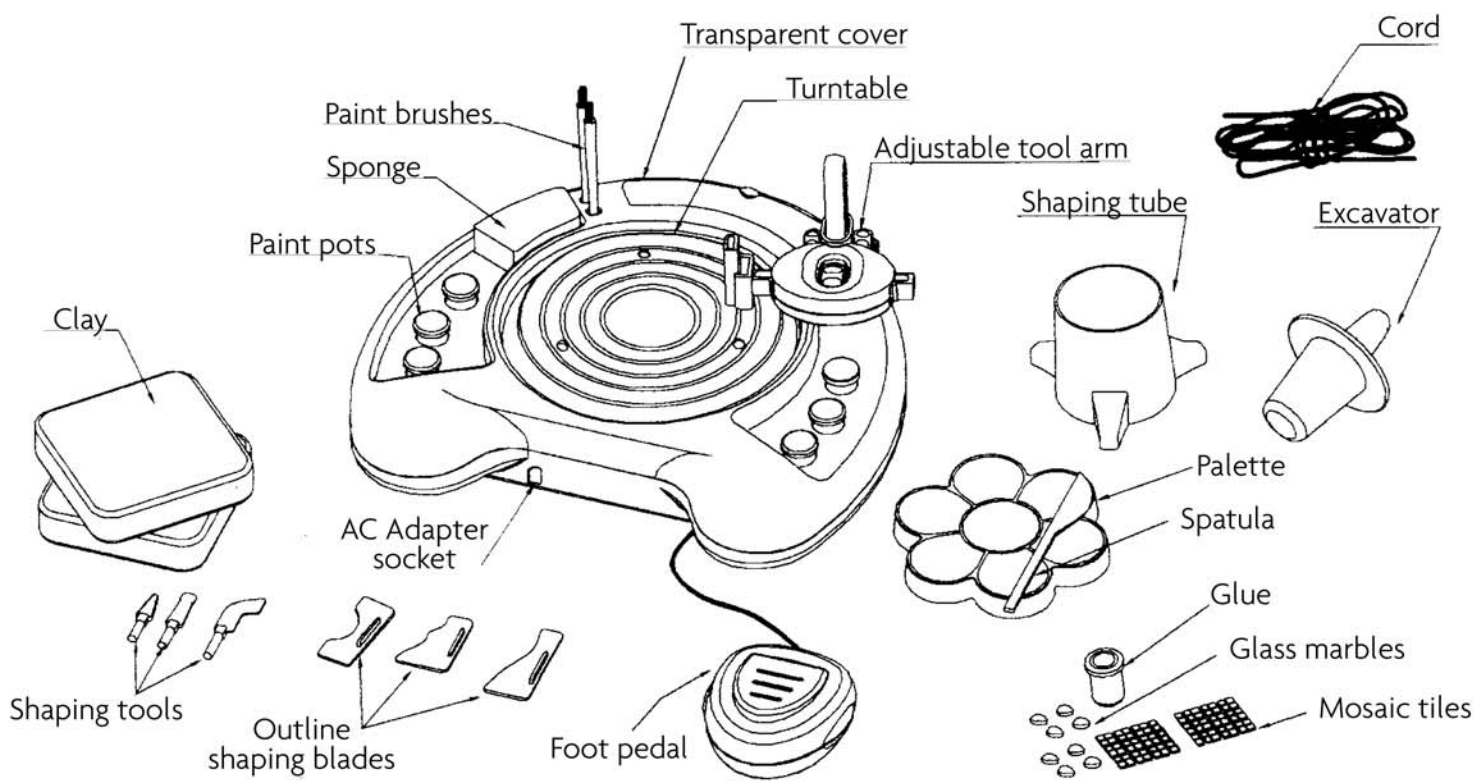


CAUTION - ELECTRIC TOY: Not recommended for children under 8 years of age. As with all electric products, precautions should be observed during handling and use to prevent electric shock. DANGER - To prevent electric shock, do not immerse base in water; wipe clean with a damp cloth.

# Deluxe POTTERY WHEEL

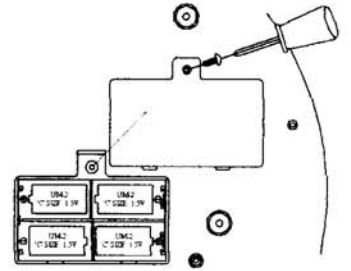
## Instructions & Ideas

**Congratulations! You are about to begin an exciting adventure into the ancient art of pottery. Once, every dish, bowl, plate and cup was made by hand on a pottery wheel much like yours. With patience and practice, you too will be making beautiful handmade works of art!**

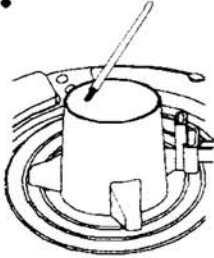


# GET READY!

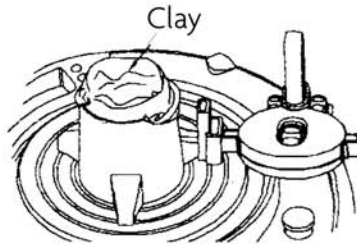
1. Establish a work area that is large enough for you to work comfortably. You'll need a sturdy table and chair, and something to protect your surface (an ALEX® Drop Cloth or newspaper works well). You'll also need a small bucket of water and paper towels.
2. Take everything out of the box and put the paints and brushes out of the way until you are ready to use them.
3. Assemble your Pottery Wheel by either inserting 4 size C batteries (not included) according to Figure 1, or inserting the AC adapter and plugging it into a wall socket. Insert the stem of the turntable into the center of the base. Keep the rim of the turntable and the area underneath it clean while you're working.



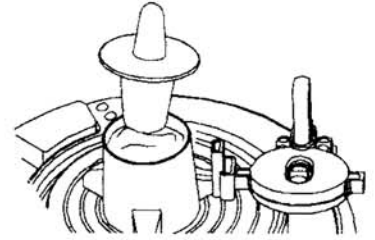
# GO!



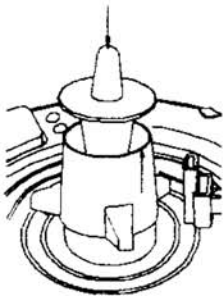
1. Place the shaping tube on the turntable by aligning the feet with the holes in the turntable. Use a paint brush to wet the inside of the shaping tube with water.



2. Start with a softball-size piece of clay. Add some water and roll it into a cylinder so that it fits into the shaping tube.



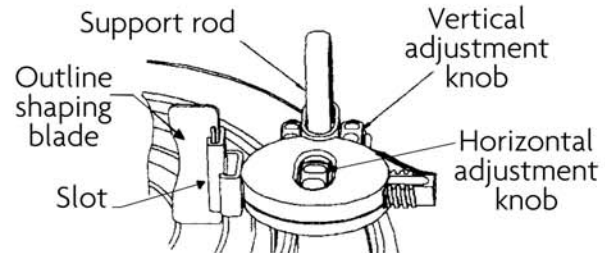
3. Press the bigger side of the excavator down into the shaping tube until the clay takes a cylindrical shape.



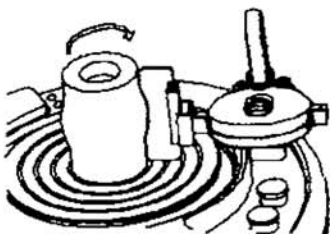
4. Separate the shaping tube from the clay by slowly pulling the tube up while pressing down on the clay with the excavator.



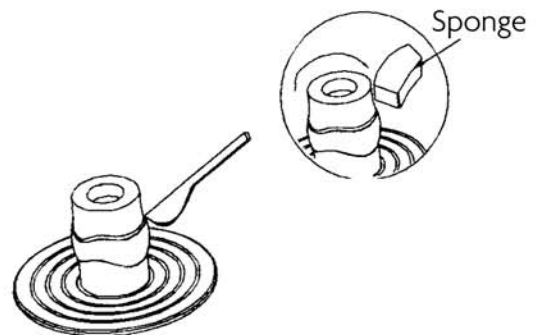
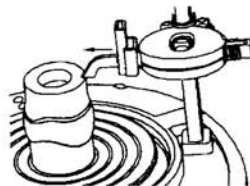
5. You may then refine the shape of the clay cylinder with the smaller end of the excavator.



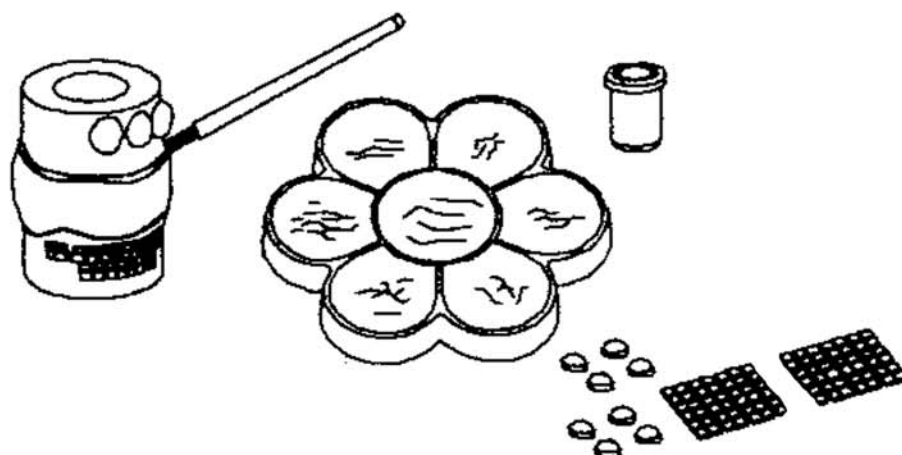
6. Insert an outline shaping blade into the slot of the adjustable tool arm.



7. Step on the foot pedal to make the turntable spin. If the clay is rotating stably, adjust the position of the shaping blade on the tool arm. When you are happy with the shape, remove your foot from the foot pedal to stop the wheel.



8. You can use the other shaping tools and the spatula to add lines, rings and spirals to you work. Use the sponge to smooth your clay pot when you are finished. Remove the turntable from the base with the pot on it, and let dry for 24 hours.



Once your piece is dry, use the cord to remove it from the turntable by sliding the cord underneath the clay. You can decorate your work with mosaic tiles, glass marbles and paint. Continue to work on your protected surface. You have 6 colors of paint, and you can mix them to make new ones. Make sure to rinse and dry your brushes when you change colors. Let your work dry again in a ventilated area.

#### NOTES:

Clean up the pottery wheel carefully, making sure that water does not get into the motor or battery compartment. Save unused clay in an airtight plastic bag or container.

Adult supervision is recommended. Do not dry the crafts in the microwave or oven.

Paints are water soluble only while wet. Dried paint can be removed by an adult with rubbing alcohol. Use caution when cleaning up with rubbing alcohol as it is toxic and can ruin some surfaces.

Clay pots are for decorative uses only. They are not suitable for use with food, liquids or exposure to heat.

#### PARENTS:

Periodically examine toy and AC adapter for worn and/or damaged parts. Replace any damaged parts to reduce risk of electric shock.

#### WARNING:

Do not mix old and new batteries. Do not mix alkaline, standard (carbon-zinc) or rechargeable (nickel-cadmium batteries). Non-rechargeable batteries are not to be recharged. Only batteries of the same or equivalent type as recommended are to be used. Batteries are to be inserted with the correct polarity. Exhausted batteries are to be removed from the toy. The supply terminals are not to be short-circuited. Do not use rechargeable batteries.